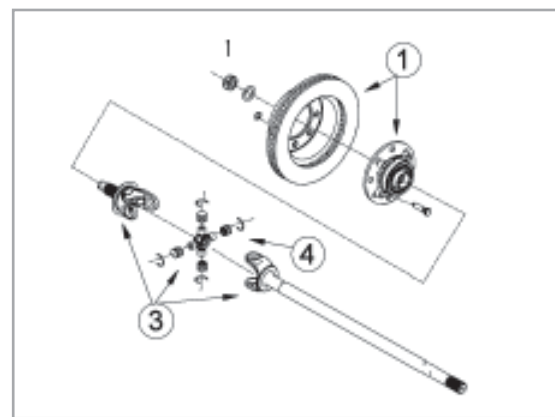
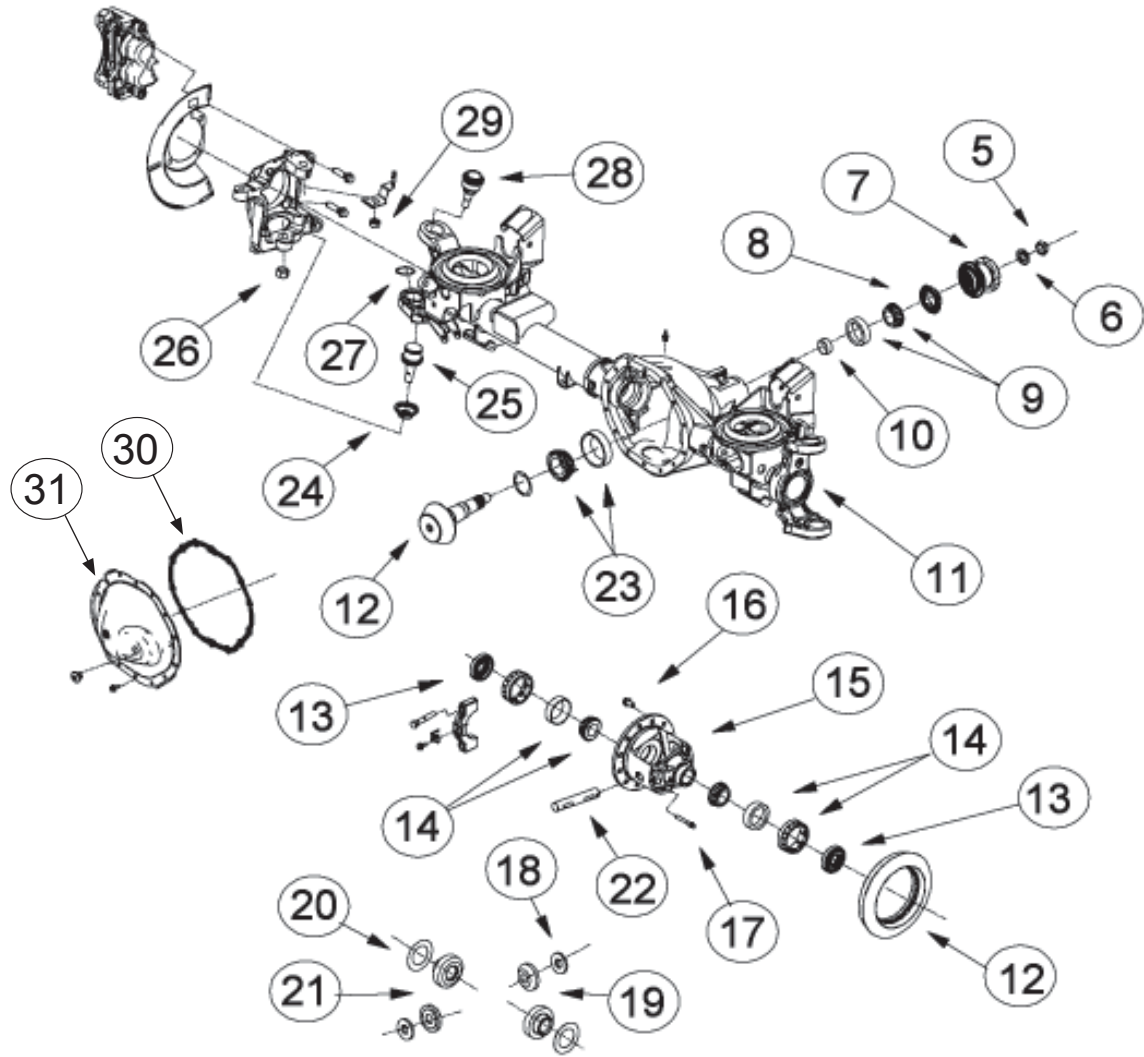
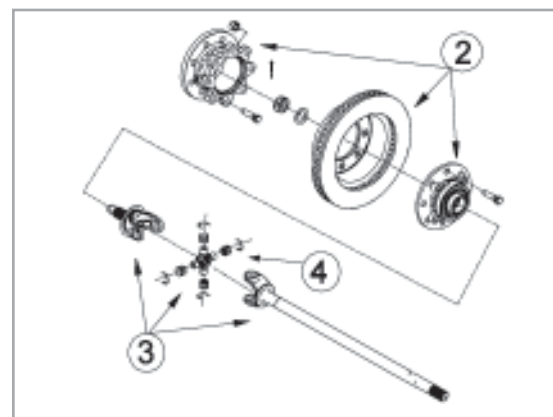


**Dodge 9.25" Front Beam Axle**



**SINGLE WHEEL**



**DUAL WHEEL**

**VEHICLE REFERENCE GUIDE**

DODGE RAM 2003+

ILL #	AAM PART NUMBER	OE PART NUMBER	DESCRIPTION	REQ	USAGE	MODEL YEAR
1			HUB & ROTOR ASM (SINGLE WHEEL)		FOR REFERENCE ONLY	
2			HUB & ROTOR ASM (DUAL WHEEL)		FOR REFERENCE ONLY	
3	40020735	05086666AB	U-JOINT & AXLE SHAFT ASM - RH LONG	1	DR/DH	2003-2008
3	40020734	05086667AB	U-JOINT & AXLE SHAFT ASM - LH SHORT	1	DR/DH	2003-2008
3	40052460	68055221AA	U-JOINT & AXLE SHAFT ASM - LH SHORT	1	DR/DH	2009
3	40052461	68055220AA	U-JOINT & AXLE SHAFT ASM - RH LONG	1	DR/DH	2009
3	40060488	68065427AA	UJT & AXLE SHAFT ASM - LEFT HAND SHORT	1	DR/DH	2010+
3	40050487	68065426AA	UJT & AXLE SHAFT ASM - RIGHT HAND LONG	1	DR/DH	2010+
3	40022771	05086667AB	AXLE SHAFT LH INNER 1485 SERIES	1	DR/DH	2003-2008
3	40022772	05086666AB	AXLE SHAFT RH INNER 1485 SERIES	1	DR/DH	2003-2008
3	40060431	68065427AA	AXLE SHAFT LH INNER 1550 SERIES	1	DR/DH	2010+
3	40060439	68065426AA	AXLE SHAFT RH INNER 1550 SERIES	1	DR/DH	2010+
3	40060443		LH / RH OUTER AXLE SHAFT 1550 SERIES	1	DR/DH	2010+
3	40072773	68065426AB	RH INNER/OUTER COMPLETE AXLE ASSEMBLY 1550 SERIES	1	DR/DH	2010+
3	40072774	68065427AB	LH INNER/OUTER COMPLETE AXLE ASSMEBLY 1550 SERIES	1	DR/DH	2010+
5	9783762	5086704AA	PREVAILING TORQUE PINION NUT	1	DR/DH	2003+
6	517900	5086703AA	PINION NUT WASHER	1	DR/DH	2003+
7	40047860	05086696AC	PINION YOKE (PILOTED)	1	DR/DH	2003+
8	40017140	05086697AB	PINION SEAL	1	DR/DH	2003+
9	9417781	05086690AA	SMALL PINION BEARING ASM (CUP & CONE)	1	DR/DH	2003+
10	14012691	05086702AA	COLLAPSIBLE SPACER	1	DR/DH	2003+
11			HOUSING		FOR REFERENCE ONLY	
12	40036546	68002475AA	RING & PINION GEAR SET (3.73 RATIO; 2 CUT)	1	DH	2007+
12	40011782	05096089AA	RING & PINION GEAR SET (4.10 RATIO; 2 CUT)	1	DR/DH	2003-2006
12	40041782	68002471AA	RING & PINION GEAR SET (4.10 RATIO; 2 CUT)	1	DH	2007+
12	40045288	68031661AA	RING & PINION GEAR SET (3.42 RATIO; 2 CUT)	1	DH	2008+
13	40011965	05086686AA	OUTPUT SEAL	2	DR/DH	2003+
14	11505123	05086686AA	DIFF. CASE BEARING ASM (CUP & CONE)	2	DR/DH	2003+
15	40031460	68002461AA	DIFFERENTIAL OPEN CASE ASM (SPHERICAL BACK TRACRITE® OPEN; WITH INTERNALS)	1	DH	2007+
15	40035046		DIFFERENTIAL OPEN CASE ASSEMBLY (WITH INTERNALS)	1	DR/DH	2003-2006
15	40047279	05175278AB	DIFFERENTIAL CASE & COIL ASM (TRACRITE® EL; DIFF. WITH INTERNALS)	1	DR/DH	2005+
16	40031306	05175277AA	RING GEAR BOLT W/ D62 ADHESIVE	12	DR/DH	2003+
17	AVAILABLE IN KIT ONLY		PINION SHAFT LOCK SCREW	1	DR/DH	2003+
18	AVAILABLE IN KIT ONLY		PINION THRUST FLAT WASHER	2	DR/DH	2003-2006
18	AVAILABLE IN KIT ONLY		PINION THRUST SPHERICAL WASHER	2	DH	2007+
19	AVAILABLE IN KIT ONLY		PINION FLAT BACK GEAR	2	DR/DH	2003-2006
19	AVAILABLE IN KIT ONLY		SIDE SPHERICAL BACK GEAR	2	DH	2007+
20	AVAILABLE IN KIT ONLY		SIDE THRUST WASHER	2	DR/DH	2003+
21	AVAILABLE IN KIT ONLY		SIDE FLAT BACK GEAR	2	DR/DH	2003-2006

**AAM 925 FRONT BEAM AXLE (14 BOLT)**



**Dodge 9.25" Front Beam Axle**

ILL #	AAM PART NUMBER	OE PART NUMBER	DESCRIPTION	REQ	USAGE	MODEL YEAR
21	AVAILABLE IN KIT ONLY		SIDE GEAR	2	DH	2007+
22	AVAILABLE IN KIT ONLY		PINION SHAFT	1	DR/DH	2003+
23	457108	05086688AA	LARGE PINION BEARING (CUP & CONE)	1	DR/DH	2003+
24	40010635	05102518AA	LOWER BALL JOINT SEAL	2	DR/DH	2003+
25	40010451	05102517AA	LOWER BALL JOINT	2	DR/DH	2003+
26	40012013	05086675AA	LOWER BALL JOINT NUT	2	DR/DH	2003+
27	40011969	05086676AA	RETAINING RING	2	DR/DH	2003+
28	70020760	05102516AA	UPPER BALL JOINT	2	DR/DH	2003+
29	11516843	05086673AA	UPPER BALL JOINT NUT	2	DR/DH	2003+
30	40011815	05086682AA	RUBBER OVER METAL COVERPAN GASKET	1	DR/DH	2003+
31	40063948	68065445AA	COVERPAN	1	DR/DH	2003+

**74010009 9.25" FRONT BEAM - MASTER INSTALL KIT**  
*Ram 2500/3500*  
**MODEL YEAR 2003 to Current**

AAM PART #	O.E. PART #	DESCRIPTION	QTY
40011986		BOLT W/ WASHER & ADHESIVE	8
40011815	05086682AA	RUBBER OVER METAL COVERPAN GASKET	1
40021280		COTTER PIN	2
40010627		HUB NUT	2
40031306	05175277AA	RING GEAR BOLT W/ ADHESIVE	12
14012691	05086702AA	COLLAPSIBLE SPACER	1
	26060975	PINION SEAL SLEEVE	1
9783762	5086704AA	PREVAILING TORQUE PINION NUT	1
		PINION SHIM	18
40017140	05086697AB	TRIPLE LIP PINION SEAL	1
40011965	05086686AA	OUTPUT SEAL	2
40007601		MAGNETIC FILL/DRAIN PLUG	1
517900	5086703AA	PINION NUT WASHER	1
40010628		HUB NUT WASHER	2
40002169		COVERPAN BOLT W/ ADHESIVE	14

**74067005 9.25" FRONT CLAMHELL - MASTER BEARING KIT**  
*Silverado, Sierra, Yukon XL, Suburban, Avalanche*  
**MODEL YEAR 1988 to 2011**

AAM PART #	O.E. PART #	DESCRIPTION	QTY
	454459	PINION HEAD BEARING ROLLER	1
	457258	PINION HEAD BEARING RACE	1
	9417782	PINION TAIL BEARING ROLLER	1
	9417783	PINION TAIL BEARING RACE	1
74003762	9783762	PREVAILING TORQUE PINION NUT	1
74007900	517900	PINION NUT WASHER	1
74002691	14012691	COLLAPSIBLE SPACER	1
	11505124	DIFF BEARING ROLLER	2
	11505125	DIFF BEARING RACE	2
	26064029	PINION SEAL	1

**74042462 9.25" FRONT BEAM - 33 TOOTH - DIFFERENTIAL GEAR KIT**  
*RAM 2500/3500*  
**MODEL YEAR 2007 to Current**

AAM PART #	O.E. PART #	DESCRIPTION	QTY
		PINION GEAR	2
		SIDE THRUST WASHER	2
		SIDE GEAR	2
		PINION SHAFT SCREW	1
		PINION SHAFT	1
		PINION THRUST SPHERICAL WASHER	2

**74047037 9.25" FRONT BEAM - 33 TOOTH - DIFFERENTIAL GEAR KIT**  
*Ram 2500/3500*  
**MODEL YEAR 2003 - 2006**

AAM PART #	O.E. PART #	DESCRIPTION	QTY
		PINION FLAT BACK GEAR	2
		PINION THRUST WASHER	2
		SIDE GEAR	2
		PINION SHAFT	1
		SIDE THRUST WASHER	2
		PINION SHAFT LOCK SCREW	1

**74100001 9.25" FRONT BEAM - BALL JOINT KIT**  
*RAM 2500/3500*  
**MODEL YEAR 2003 to Current**

AAM PART #	O.E. PART #	DESCRIPTION	QTY
40010451		BALL JOINT COMPONENT - LOWER	1
40020760		BALL JOINT COMPONENT - UPPER	1
40010635		BALL JOINT COMPONENT - SEAL	1
40011969		BALL JOINT COMPONENT - S. RING	1
40012013		BALL JOINT COMPONENT - NUT	1
11516133		BALL JOINT COMPONENT - NUT	1
40011986		(4) BALL JOINT COMP - BOLTS	4

**74050016 9.25" FRONT BEAM - OUTPUT SHAFT SEAL KIT**  
*Ram 2500/3500*  
**MODEL YEAR 2003 to Current**

AAM PART #	O.E. PART #	DESCRIPTION	QTY
40011965	05086686AA	OUTPUT SEAL	2
40011986		BOLT W/ WASHER & ADHESIVE	8

**74030009 9.25" FRONT BEAM - COVERPAN KIT**  
*Ram 2500/3500*  
**MODEL YEAR 2003 to Current**

AAM PART #	O.E. PART #	DESCRIPTION	QTY
40063948	68065445AA	COVERPAN	1
40011815	05086682AA	RUBBER OVER METAL COVERPAN GASKET	1
40002169		COVERPAN BOLT W/ ADHESIVE	14
40007601		MAGNETIC FILL/DRAIN PLUG	1

**74020009 9.25" FRONT BEAM - PINION SEAL KIT**  
*RAM 2500/3500*  
**MODEL YEAR 2003 to Current**

AAM PART #	O.E. PART #	DESCRIPTION	QTY
40017140		PINION SEAL	1
14012691	05086702AA	COLLAPSIBLE SPACER	1
9783762	5086704AA	PREVAILING TORQUE PINION NUT	1
	26060975	PINION SEAL SLEEVE	1
517900	5086703AA	PINION NUT WASHER	1

**AAM 925 FRONT BEAM AXLE (14 BOLT)**

**VEHICLE REFERENCE GUIDE**

DODGE RAM 2003+