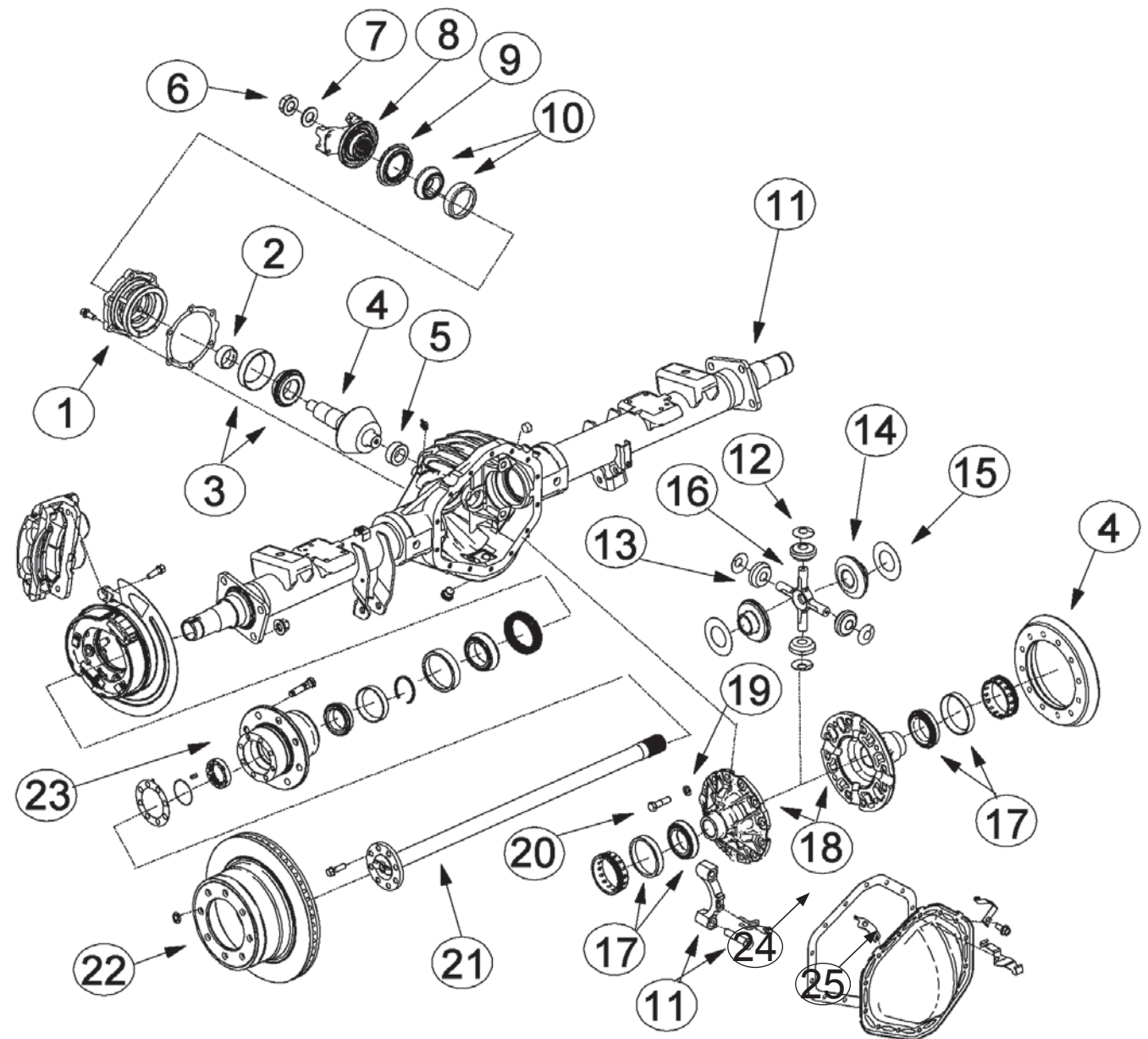




GM 10.5" REAR AXLE



VEHICLE REFERENCE GUIDE

P	TRUCK - LIGHT-DUTY COMMERCIAL TRUCK, MINI-MOTORHOME
C	TRUCK - 2 WHEEL DRIVE FULL-SIZE TRUCK & UTILITY
K	TRUCK - 4 WHEEL DRIVE FULL-SIZE TRUCK & UTILITY
R	TRUCK - "C" PICK-UP (PRIOR TO '87)
G	FULL-SIZE VAN (ALSO GMT-600), EXPRESS/SAVANA
V	TRUCK - "C" PICK-UP - 4WD (PRIOR TO '87)
WCC	WORKHORSE CUSTOM CHASSIS

ILL #	AAM PART NUMBER	OE PART NUMBER	DESCRIPTION	REQ	USAGE	MODEL YEAR
1	74001704	26061404	PINION BEARING RETAINER	1	P;C;K;R;V;G;WCC	1997+
2	74008741	26008741	COLLAPSIBLE SPACER	1	P;C;K;R;V;G;WCC	1975+
3	74003882	26043882	LARGE PINION BEARING ASM (CUP & CONE)	1	P;C;K;R;V;G;WCC	1996+
4	74015280	26055280	RING & PINION GEAR SET (3.42 RATIO, 5 CUT)	1	C;K;R;V;G	1987+
4	40058731	19210695	RING & PINION GEAR SET (3.73 RATIO, 2 CUT)	1	C;K;R;V;G	1982+
4	40070463	20920669	RING & PINION GEAR SET (4.10 RATIO, 2 CUT)	1	P;C;K;R;V;G;WCC	1982+
4	40010717	19122188	RING & PINION GEAR SET (4.56 RATIO, 2 CUT)	1	P;C;K;R;V;G;WCC	1982+
4	74015283	26055283	RING & PINION GEAR SET (5.13 RATIO, 5 CUT)	1	P;C;K;R;V;G;WCC	1982+
5	74001870	7451870	PILOT BEARING ASM	1	P;C;K;R;V;G;WCC	1975+
6	74002844	15552844	PINION NUT	1	P;C;K;R;V;G;WCC	1979+
7	74002845	15552845	PINION NUT WASHER	1	P;C;K;R;V;G;WCC	1979+
8	74004017	26064017	PINION YOKE (1410 UJT; 4 FOOTED)	1	P;C;K;G;WCC	1997+
8	40065702	19210699	PINION YOKE (1355 UJT; 4 FOOTED)	1	G	2010+
	26060884		PINION YOKE (1415 UJT; 4 FOOTED)	1	P;C;K;R;V;G;WCC	1975+
9	74004030	26064030	TRIPLE LIP PINION SEAL	1	P;C;K;R;V;G;WCC	1997+
10	74008356	9418356	SMALL PINION BEARING ASM (CUP & CONE)	1	P;C;K;R;V;G;WCC	1975+
11			AXLE HOUSING		FOR REFERENCE ONLY	
12	AVAILABLE IN KIT ONLY		PINION THRUST WASHER	4	P;C;K;R;V;G;WCC	1985+
13	AVAILABLE IN KIT ONLY		PINION GEAR	4	P;C;K;R;V;G;WCC	1985+
14	AVAILABLE IN KIT ONLY		DIFF SIDE THRUST WASHER	2	P;C;K;R;V;G;WCC	1985+
15	AVAILABLE IN KIT ONLY		SIDE THRUST WASHER	2	P;C;K;R;V;G;WCC	1985+
16	AVAILABLE IN KIT ONLY		PINION SPIDER	1	P;C;K;R;V;G;WCC	1975+
17	74006881	9436881	DIFF. CASE BEARING ASM (CUP & CONE)	1	P;C;K;R;V;G;WCC	1979+
18	74037357	26067357	DIFFERENTIAL CASE & COVER (WITHOUT INTERNALS; RATIOS 4.10 AND DOWN)	1	P;C;K;R;V;G;WCC	1975+
18	74037356	26067356	DIFFERENTIAL CASE & COVER (WITHOUT INTERNALS; RATIOS 4.56 AND UP)	1	P;C;K;R;V;G;WCC	1975+
20	40019659	12479387	RING GEAR BOLT (RATIOS 4.56 AND UP)	12	P;C;K;R;V;G;WCC	1975+
20	40019486	12479386	RING GEAR BOLT (RATIOS 4.10 AND DOWN)	12	P;C;K;R;V;G;WCC	1975+
21	74027383	3977383M	AXLE SHAFT - LEFT HAND (814 MM; 30 TOOTH; 8 BOLT; DRUM; 2WD & 4WD)	1	C;K;R;V;G;WCC	1973+
21	74027384	3977384M	AXLE SHAFT - RIGHT HAND (965 MM; 30 TOOTH; 8 BOLT; DRUM; 2WD & 4WD)	1	C;K;R;V;G;WCC	1973+
21	74021161	26011161M	AXLE SHAFT - LEFT HAND (953 MM; 30 TOOTH; 8 BOLT; DRUM; 2WD & 4WD)	1	C;K	1988-2000
21	74021162	26011162M	AXLE SHAFT - RIGHT HAND (1065 MM; 30 TOOTH; 8 BOLT; DRUM; 2WD & 4WD)	1	C;K	1988-2000
21	74025426	26045426M	AXLE SHAFT - LEFT HAND (850 MM; 30 TOOTH; 8 BOLT; DRUM; 2WD & 4WD)	1	C;K;G	1996+
21	40000096	12471329	AXLE SHAFT - RIGHT HAND (991 MM; 30 TOOTH; 8 BOLT; DISC; 2WD & 4WD)	1	C;K	1999+
21	40054780	19210692	AXLE SHAFT - LEFT HAND (861 MM; 30 TOOTH; 8 BOLT; DISC; 2WD)	1	G	2010+
21	40054781	19210693	AXLE SHAFT - RIGHT HAND (1002 MM; 30 TOOTH; 8 BOLT; DISC; 2WD)	1	G	2010+
21	40059203	19210697	AXLE SHAFT - LEFT HAND (945 MM; 30 TOOTH; 8 BOLT; DISC; 2WD)	1	G	2010+
21	40059202	19210696	AXLE SHAFT - RIGHT HAND (1087 MM; 30 TOOTH; 8 BOLT; DISC; 2WD)	1	G	2010+
21	40052094	20920666	AXLE SHAFT - LEFT HAND (1009 MM; 30 TOOTH; 8 BOLT; DISC; 2WD)	1	G	2010+
21	40052092	20920667	AXLE SHAFT - RIGHT HAND (868 MM; 30 TOOTH; 8 BOLT; DISC; 2WD)	1	G	2010+

AAM 1050 REAR AXLE (14 BOLT)



GM 10.5" REAR AXLE

ILL #	AAM PART NUMBER	OE PART NUMBER	DESCRIPTION	REQ	USAGE	MODEL YEAR
22			ROTOR		FOR REFERENCE ONLY	
23			SINGLE WHEEL HUB (WITHOUT INTERNALS)		FOR REFERENCE ONLY	
23			HUB ASM WITH EXCITER		FOR REFERENCE ONLY	
24	26067040	26067040	COVERPAN	1	P;C;K;R;V;G;WCC	1982+
24	40064561	19210710	COVERPAN	1	G	2010+
25	26067159	26067159	COVERPAN GASKET	1	P;C;K;R;V;G;WCC	1982+
	26067357		DIFF. OPEN CASE (WITHOUT INTERNALS,4.30 AND DOWN)	1	C;K	1999+

74010014 10.5" 2PC - MASTER INSTALL KIT
Sierra, Silverado, Suburban, Yukon, Avalanche, Savana, Express
MODEL YEAR 1998 to Current

AAM PART #	O.E. PART #	DESCRIPTION	QTY
40023476		WHEEL BOLT W/ ADHESIVE	16
26067159	26067159	COVERPAN GASKET	1
40000014		HUB GASKET	2
40051851		HUB GASKET - SINGLE & DUAL	2
	26060977	PINION SEAL SLEEVE	1
	444788	DRAIN PLUG	1
40019486	12479386	RING GEAR BOLT	12
74008741	26008741	COLLAPSIBLE SPACER	1
74002844	15552844	PINION NUT	1
		PINION RETAINER SHIM	1
74004030	26064030	TRIPLE LIP PINION SEAL	1
74002845	15552845	PINION NUT WASHER	1
40003251		FILL PLUG ASM	1
40041239		SPECIAL COVERPAN BOLT	2
40018119		PINION RETAINER BOLT	6
40002169		COVERPAN BOLT W/ ADHESIVE	14

74067009 10.5" REAR 14 BOLT - MASTER BEARING KIT
Sierra, Silverado, Suburban, Yukon XL, Avalanche, Savana, Express
MODEL YEAR 1998 to Current

AAM PART #	O.E. PART #	DESCRIPTION	QTY
	26043883	PINION HEAD BEARING ROLLER	1
	26053884	PINION HEAD BEARING RACE	1
	9418357	PINION TAIL BEARING ROLLER	1
	9418358	PINION TAIL BEARING RACE	1
74002844	15552844	PINION NUT	1
	7451870	PILOT BEARING	1
74002845	15552845	PINION NUT WASHER	1
74008741	26008741	COLLAPSIBLE SPACER	1
	9436882	DIFF BEARING ROLLER	2
74006881	142223	DIFF BEARING RACE	2
	26064030	PINION SEAL	1

74040917 10.5" REAR 14 BOLT - 30 TOOTH - DIFFERENTIAL GEAR KIT
Sierra, Silverado, Savana, Express, Suburban, Yukon XL, Avalanche
MODEL YEAR 1985 to Current

AAM PART #	O.E. PART #	DESCRIPTION	QTY
		PINION GEAR	4
		PINION SPIDER	1
		SIDE THRUST WASHER	2
		PINION THRUST WASHER	4
		SIDE GEAR	2

74020011 10.5" REAR 14 BOLT - PINION SEAL KIT
Silverado, Sierra, Yukon, Avalanche, Escalade, Jimmy, Bravada, Express, Suburban, Colorado, Canyon, H3, Trailblazer, Envoy, S10, Rainier, Blazer, Jimmy, Savana, Express, Tahoe, Astro, Sonoma, Safari
MODEL YEAR 1998 to Current

AAM PART #	O.E. PART #	DESCRIPTION	QTY
74004030	26064030	TRIPLE LIP PINION SEAL	1
74002844	15552844	PINION NUT	1
74002845	15552845	PINION NUT WASHER	1
74008741	26008741	COLLAPSIBLE SPACER	1
74002845	15552845	PINION NUT WASHER	1

74030012 10.5" REAR 14 BOLT - COVERPAN KIT
Suburban, Yukon XL, Avalanche, Sierra, Silverado, Savana, Express (With SRW Only)
MODEL YEAR 2000 to Current

AAM PART #	O.E. PART #	DESCRIPTION	QTY
26067040	26067040	COVERPAN	1
26067159	26067159	COVERPAN GASKET	1
40002169		COVERPAN BOLT W/ ADHESIVE	14
40041239		SPECIAL COVERPAN BOLT	2

74030013 10.5" REAR 14 BOLT - COVERPAN KIT
Savana, Express (With DRW Only)
MODEL YEAR 2010 to Current

AAM PART #	O.E. PART #	DESCRIPTION	QTY
40064561	19210710	COVERPAN	1
26067159	26067159	COVERPAN GASKET	1
40002169		COVERPAN BOLT W/ ADHESIVE	14

74030014 10.5" REAR 14 BOLT - COVERPAN KIT
Sierra, Silverado
MODEL YEAR 2011 to Current

AAM PART #	O.E. PART #	DESCRIPTION	QTY
40060164		COVERPAN	1
26067159	26067159	COVERPAN GASKET	1
40002169		COVERPAN BOLT W/ ADHESIVE	12
40041239		SPECIAL COVERPAN BOLT	2

74070001 10.5" REAR SINGLE WHEEL - WHEEL END KIT
Savana, Express, Sierra, Silverado
MODEL YEAR 2001 to Current

AAM PART #	O.E. PART #	DESCRIPTION	QTY
9428909		OUTER WHEEL END BEARING	1
9428539		OUTER WHEEL END RACE	1
142223		INNER WHEEL END RACE	1
9436882		INNER WHEEL END BEARING	1
15823962		HUB SEAL	2
40012104		WHEEL BOLT W/ ADHESIVE	16
341509		HUB NUT	2
40036934		HUB NUT LOCK	2
15702309		RETAINING RING - OUTER BEARING	2
341511		RETAINING RING - HUB	2
40000014		HUB GASKET	2

74070002 10.5" REAR DUAL WHEEL - WHEEL END KIT
Savana, Express
MODEL YEAR 2011 to Current

AAM PART #	O.E. PART #	DESCRIPTION	QTY
40005768		INNER WHEEL END RACE	1
40005767		INNER WHEEL END BEARING	1
40005772		OUTER WHEEL END BEARING	1
40005773		OUTER WHEEL END RACE	1
15823962		HUB SEAL	2
15702309		RETAINING RING - OUTER BEARING	4
40012104		WHEEL BOLT W/ ADHESIVE	16
40000014		HUB GASKET	2
40036934		HUB NUT LOCK	2
341509		HUB NUT	2
341511		RETAINING RING - HUB	2

74070003 10.5" REAR SINGLE WHEEL - WHEEL END KIT
Sierra, Silverado
MODEL YEAR 2011 to Current

AAM PART #	O.E. PART #	DESCRIPTION	QTY
40059216		INNER WHEEL END RACE	1
40059217		INNER WHEEL END BEARING	1
40059215		OUTER WHEEL END BEARING	1
40059214		OUTER WHEEL END RACE	1
20889025		HUB SEAL	2
25855293		RETAINING RING - OUTER BEARING	4
40023476		WHEEL BOLT W/ ADHESIVE	16
40051851		HUB GASKET - SINGLE & DUAL	2
40082234		HUB NUT LOCK	2
40091019		HUB NUT	2
40096297		HUB NUT SNAP RING	2

AAM 1050 REAR AXLE (14 BOLT)