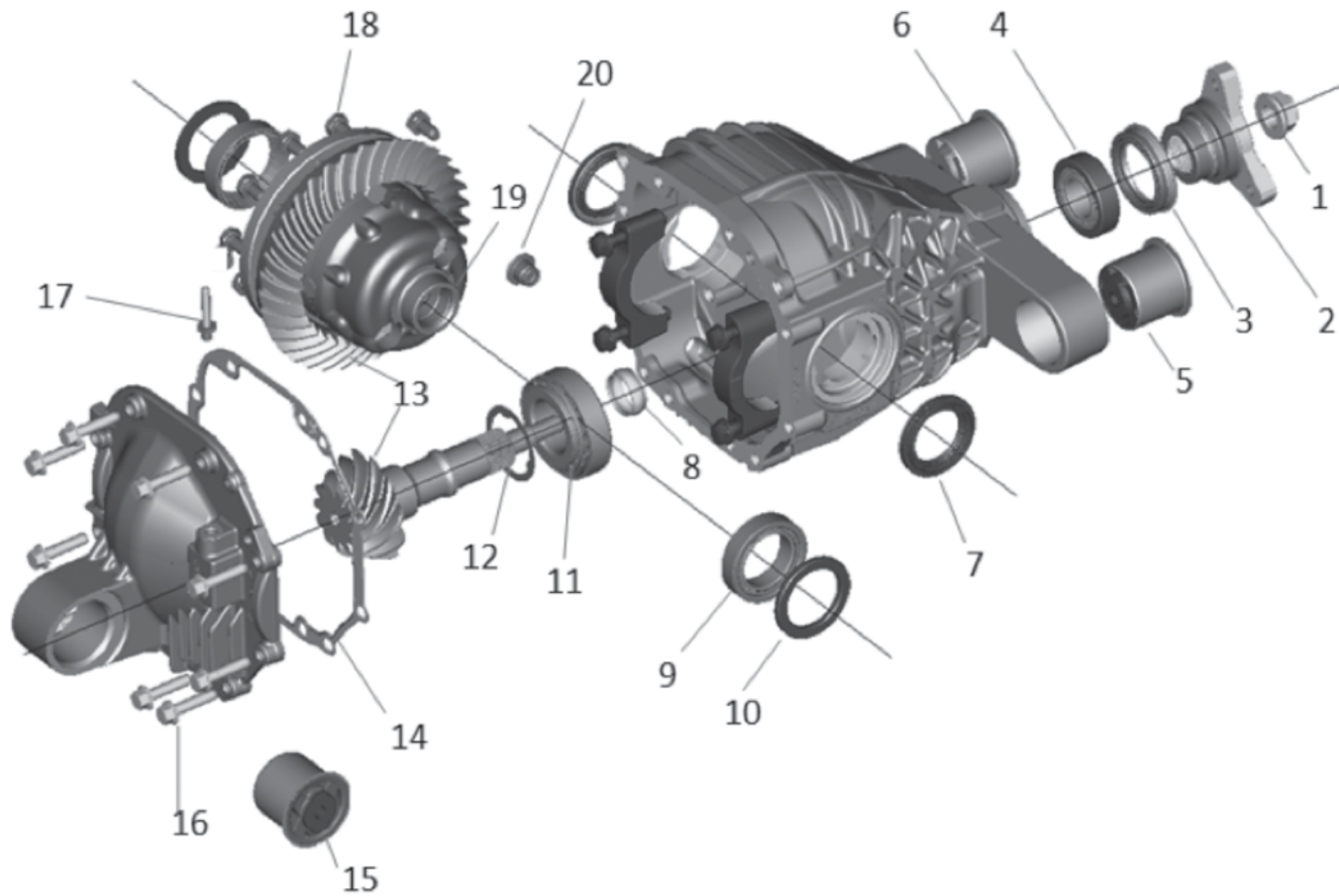




GM 218mm Rear Axle



ILL #	AAM PART NUMBER	OE PART NUMBER	DESCRIPTION	REQ	USAGE	MODEL YEAR
1	40037574		NUT, PINION	1	CAMARO	2010+
2	40081311		FLANGE ASM, PINION FOR 3.91 & 3.45	1	CAMARO	2010+
2	40037584		FLANGE ASM, PINION FOR 3.27	1	CAMARO	2010+
3	40053191		SEAL, PINION	1	CAMARO	2010+
4	40057334		BEARING ASM, TAPERED	1	CAMARO	2010+
5	40040045		BUSHING, ISOLATION	1	CAMARO	2010+
6	40040044		BUSHING, ISOLATION	1	CAMARO	2010+
7	40037575		SEAL, OUTPUT	2	CAMARO	2010+
8	14012691		SPACER, PINION BEARING	1	CAMARO	2010+
9	40040071		BEARING ASM, TAPERED	2	CAMARO	2010+
10			PART OF INSTALL KIT 74010007	2	CAMARO	2010+
11	40038906		BEARING ASM, TAPERED	1	CAMARO	2010+
12			PART OF INSTALL KIT 74010007	1	CAMARO	2010+
13	40037661		GEARSET, RING AND PINION 3.27	1	CAMARO	2010+
13	40037664		GEARSET, RING AND PINION 3.45	1	CAMARO	2010+
13	40098654		GEARSET, RING AND PINION 3.91	1	CAMARO	2010+
14	40040049		GASKET	1	CAMARO	2010+
15	40040046		BUSHING	1	CAMARO	2010+
16	40033325		BOLT, COVERPAN	10	CAMARO	2010+
17	40066428		CONNECTOR, VENT HOSE	1	CAMARO	2010+
18	40007898		BOLT, SPECIAL RING GEAR	10	CAMARO	2010+
19	40053855		DIFFERENTIAL ASM, LIMITED SLIP	1	CAMARO	2010+
20	40039752		PLUG, FILL/DRAIN	2	CAMARO	2010+

GM 218MM REAR AXLE

74010007 218 MM (8.6) GM REAR - MASTER INSTALL KIT			
Camaro			
MODEL YEAR 2010 to Current			
AAM PART #	O.E. PART #	DESCRIPTION	QTY
40053191		PINION SEAL	1
40037574		PINION NUT	1
14012691		COLLAPSIBLE SPACER	1
40061033		SERRATED RING GEAR BOLT W/ ADHESIVE	10
40040049		COVERPAN GASKET	1
40033325		COVERPAN BOLT	10
40037575		OUTPUT SEAL	2
14012708		ASSORTED PINION BEARING SHIMS	18
40032996		ASSORTED DIFFERENTIAL BEARING SHIMS	62
40040299		ASSORTED SHIMS	14
40039752		FILL PLUG	2
40066428		VENT CONNECTOR	1

74050017 218 MM (8.6) GM REAR - OUTPUT SEAL KIT			
Camaro			
MODEL YEAR 2010 to Current			
AAM PART #	O.E. PART #	DESCRIPTION	QTY
40037575		OUTPUT SEAL	2

VEHICLE REFERENCE GUIDE

ZETA CAMARO