

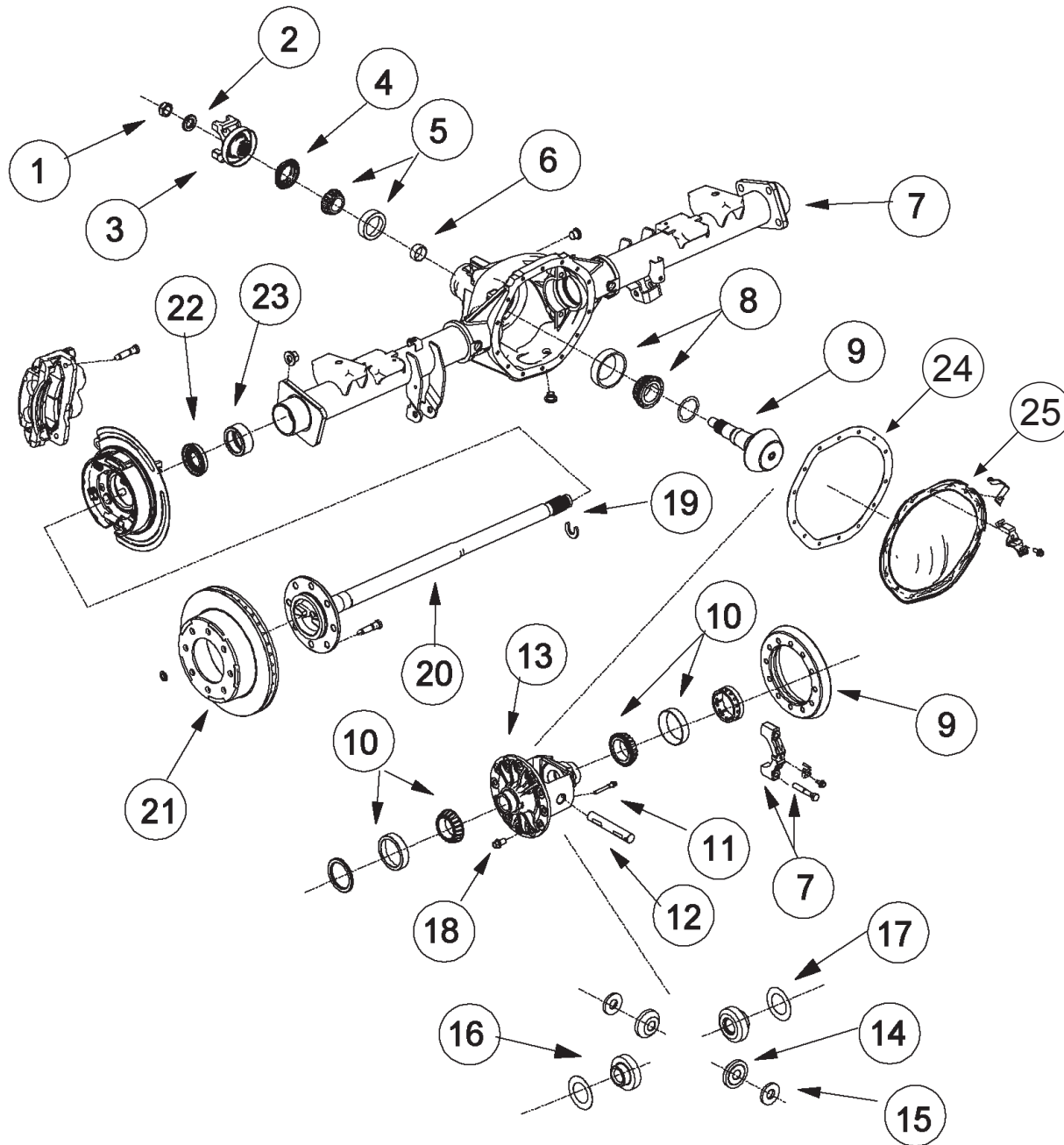


# Demand the original.

Axle Components | Driveshaft Components | Repair Kits

## AAM 9.5" Salisbury (14-Bolt)

## GM 9.5" REAR AXLE



### VEHICLE REFERENCE GUIDE

- C TRUCK - 2-WHEEL DRIVE FULL-SIZE TRUCK & UTILITY
- K TRUCK - 4-WHEEL DRIVE FULL-SIZE TRUCK & UTILITY
- G FULL-SIZE VAN (ALSO GMT-600), EXPRESS/SAVANA



ILL #	AAM PART NUMBER	OE PART NUMBER	DESCRIPTION	REQ	USAGE	MODEL YEAR
1	74003762	9783762	PREVAILING TORQUE PINION NUT	1	C;K;G	1982+
2	74007900	517900	PINION NUT WASHER	1	C;K;G	1982+
3	40055350	19256396	PINION YOKE (1415 U-JOINT; 4 FOOTED)	1	C;K;G	2010+
3	26060881		PINION YOKE ( 1355 UJT 4 FOOTED)	1	C;K	2005+
4	74007029	26064049	PINION SEAL	1	C;K;G	1997+
5	74007781	9417781	SMALL PINION BEARING ASM (CUP & CONE)	1	C;K;G	1982+
6	74002691	14012691	COLLAPSIBLE SPACER	1	C;K;G	1981+
7			AXLE HOUSING		FOR REFERENCE ONLY	
8	74007108	457108	LARGE PINION BEARING ASM (CUP & CONE)	1	C;K;G	1982+
9	40051784	20914868	RING & PINION GEARSET (3.42 RATIO; 2 CUT)	1	C;K;G	1982+
9	40033264	88965785	RING & PINION GEARSET (3.73 RATIO; 2 CUT)	1	C;K;G	1982+
9	40033637	88967094	RING & PINION GEARSET (4.10 RATIO; 2 CUT)	1	C;K;G	1982+
10	74005123	11505123	DIFF. CASE BEARING ASM (CUP & CONE)	2	C;K;G	1981+
11	AVAILABLE IN KIT ONLY		PINION SHAFT LOCK SCREW	1	C;K;G	1981+
12	AVAILABLE IN KIT ONLY		PINION SHAFT	1	C;K;G	1981+
13	74032695	14012695	DIFFERENTIAL OPEN CASE (WITHOUT INTERNALS)	1	C;K;G	1981+
	40035046		DIFFERENTIAL OPEN CASE ASSEMBLY (WITH INTERNALS)	1	800/900/H2/610HD	2005+
14	AVAILABLE IN KIT ONLY		PINION GEAR	2	C;K;G	1981+
15	AVAILABLE IN KIT ONLY		PINION THRUST WASHER	2	C;K;G	1981+
16	AVAILABLE IN KIT ONLY		SIDE GEAR	2	C;K;G	1981+
17	AVAILABLE IN KIT ONLY		SIDE THRUST WASHER	2	C;K;G	1981+
18	74002703	14012703	RING GEAR BOLT W/ ADHESIVE	12	C;K;G	1981+
19	74002746	14012746	AXLE C LOCK	2	C;K;G	1981+
20	74020414	26060414	AXLE SHAFT (846 MM; 33 TOOTH; 8 BOLT; DISC)	2	C;K	1999+
20	14035395M		AXLE SHAFT (828 MM; 33 TOOTH; 8 BOLT) LH	1	C;G	1981 - 1996
21			DRUM & ROTOR		FOR REFERENCE ONLY	
22	74007167	26057167	AXLE SHAFT SEAL	2	C;K;G	1982+
23	74009561	9439561	ROLLER BEARING ASM	2	C;K;G	1982+
24	26063649	26063649	RUBBER OVER METAL COVERPAN GASKET	1	C;K;G	1998+
25	40039024	15807699	COVERPAN	1	C;K;G	2005+
25	26067253	26067253	COVERPAN	1	C;K;G	1982-2004



# Demand the original.

Axle Components | Driveshaft Components | Repair Kits

## AAM 9.5" Salisbury (14-Bolt)

### 74010012 9.5" REAR 14 BOLT - MASTER INSTALL KIT

Trailblazer SS, SSR, Savana, Express, Sierra, Silverado, Silverado SS, Yukon, Tahoe, Escalade, Suburban, H2

MODEL YEAR 1997 to Current

AAM PART #	O.E. PART #	DESCRIPTION	QTY
74003762	9783762	PREVAILING TORQUE PINION NUT	1
40012333		RUBBER OVER METAL COVERPAN GASKET	1
26063649	26063649	RUBBER OVER METAL COVERPAN GASKET	1
74007900	517900	PINION NUT WASHER	1
40007601		MAGNETIC FILL/DRAIN PLUG	1
40051815		AXLE SEAL	2
40001710		OUTPUT SEAL	2
	26060975	PINION SEAL SLEEVE	1
74002703	14012703	RING GEAR BOLT W/ ADHESIVE	12
40002169		COVERPAN BOLT W/ ADHESIVE	14
74002746	14012746	AXLE C LOCK	2
26064029		PINION SEAL	1
40000977		FILL PLUG - H2 ONLY	1
74002691	14012691	COLLAPSIBLE SPACER	1
		SIDE SHIM	24
		PINION SHIM	18

### 74067005 9.25" FRONT CLAMSHELL - MASTER BEARING KIT

Silverado, Sierra, Yukon XL, Suburban, Avalanche

MODEL YEAR 1988 to 2011

AAM PART #	O.E. PART #	DESCRIPTION	QTY
	454459	PINION HEAD BEARING ROLLER	1
	457258	PINION HEAD BEARING RACE	1
	9417782	PINION TAIL BEARING ROLLER	1
	9417783	PINION TAIL BEARING RACE	1
74003762	9783762	PREVAILING TORQUE PINION NUT	1
74007900	517900	PINION NUT WASHER	1
74002691	14012691	COLLAPSIBLE SPACER	1
	11505124	DIFF BEARING ROLLER	2
	11505125	DIFF BEARING RACE	2
	26064029	PINION SEAL	1

\*Note: GM 9.5" Use Pinion Seal 26064029 - order separately

## GM 9.5" REAR AXLE

### 74020010 9.5" REAR 14 BOLT - PINION SEAL KIT

Silverado, Sierra, Yukon, Avalanche, Escalade, Jimmy, Bravada, Express, Suburban, Colorado, Canyon, H3, Trailblazer, Envoy, S10, Rainier, Blazer, Jimmy, Savana, Express, Tahoe, Astro, Sonoma, Safari

MODEL YEAR 1998 to Current

AAM PART #	O.E. PART #	DESCRIPTION	QTY
74007029	26064029	PINION SEAL	1
74007900	517900	PINION NUT WASHER	1
74003762	9783762	PREVAILING TORQUE PINION NUT	1
74002691	14012691	COLLAPSIBLE SPACER	1
	26060975	PINION SEAL SLEEVE	1

### 74050012 9.5" REAR 14 BOLT - OUTPUT SHAFT SEAL KIT

Tahoe, Yukon, Escalade, Trailblazer SS w/ VSES

MODEL YEAR 2003 to 2006, Trailblazer SS: 2006 to 2009

AAM PART #	O.E. PART #	DESCRIPTION	QTY
	14012746	AXLE C LOCK	2
	40001710	OUTPUT SEAL	2
	40008157	ROLLER BEARING ASM	2
	40016199	TONE RING	2

### 74050013 9.5" REAR 14 BOLT - OUTPUT SHAFT SEAL KIT

Sierra, Silverado, Tahoe, Yukon, Escalade, Suburban w/ VSES

MODEL YEAR 2007 to Current

AAM PART #	O.E. PART #	DESCRIPTION	QTY
	40008157	ROLLER BEARING ASM	2
	40001710	OUTPUT SEAL	2
	40030759	EXCITER RING	2
	74002746	14012746 AXLE C LOCK	2



**74050014 9.5" REAR 14 BOLT -  
OUTPUT SHAFT SEAL KIT**

Silverado SS, SSR w/o VSES  
MODEL YEAR 2005 to 2006

AAM PART #	O.E. PART #	DESCRIPTION	QTY
40001710		OUTPUT SEAL	2
40008157		ROLLER BEARING ASM	2
74002746	14012746	AXLE C LOCK	2

**74050015 9.5" REAR -  
OUTPUT SHAFT SEAL KIT**

H2, Savana, Express, Sierra, Silverado,  
Yukon XL, Suburban, Avalanche  
MODEL YEAR 1997 to Current

AAM PART #	O.E. PART #	DESCRIPTION	QTY
74009561	9439561	ROLLER BEARING ASM	2
74002746	14012746	AXLE C LOCK	2
40001710		OUTPUT SEAL	2

**74047037 9.5" FRONT CLAMSHELL -  
33 TOOTH - DIFFERENTIAL GEAR KIT**

Sierra, Silverado, Suburban, Yukon XL, Avalanche, H2  
MODEL YEAR 1988 to 2006

AAM PART #	O.E. PART #	DESCRIPTION	QTY
		PINION GEAR	2
		PINION THRUST WASHER	2
		SIDE GEAR	2
		PINION SHAFT	1
		SIDE THRUST WASHER	2
		PINION SHAFT LOCK SCREW	1

**74030010 9.5" REAR 14 BOLT -  
COVERPAN KIT**

H2  
MODEL YEAR 2003 to 2009

AAM PART #	O.E. PART #	DESCRIPTION	QTY
40007601		MAGNETIC FILL/DRAIN PLUG	1
40012333		RUBBER OVER METAL COVERPAN GASKET	1
40022474	15807699	COVERPAN	1
40002169		COVERPAN BOLT W/ ADHESIVE	14

**74030011 9.5" REAR 14 BOLT -  
COVERPAN KIT**

Trailblazer SS, SSR, Savana, Express, Sierra, Silverado,  
Silverado SS, Yukon, Tahoe, Escalade, Avalanche, Suburban  
MODEL YEAR 1998 to Current

AAM PART #	O.E. PART #	DESCRIPTION	QTY
40039024	15807699	COVERPAN	1
26063649		RUBBER OVER METAL COVERPAN GASKET	1
40002169		COVERPAN BOLT W/ ADHESIVE	14
40007601		MAGNETIC FILL/DRAIN PLUG	1