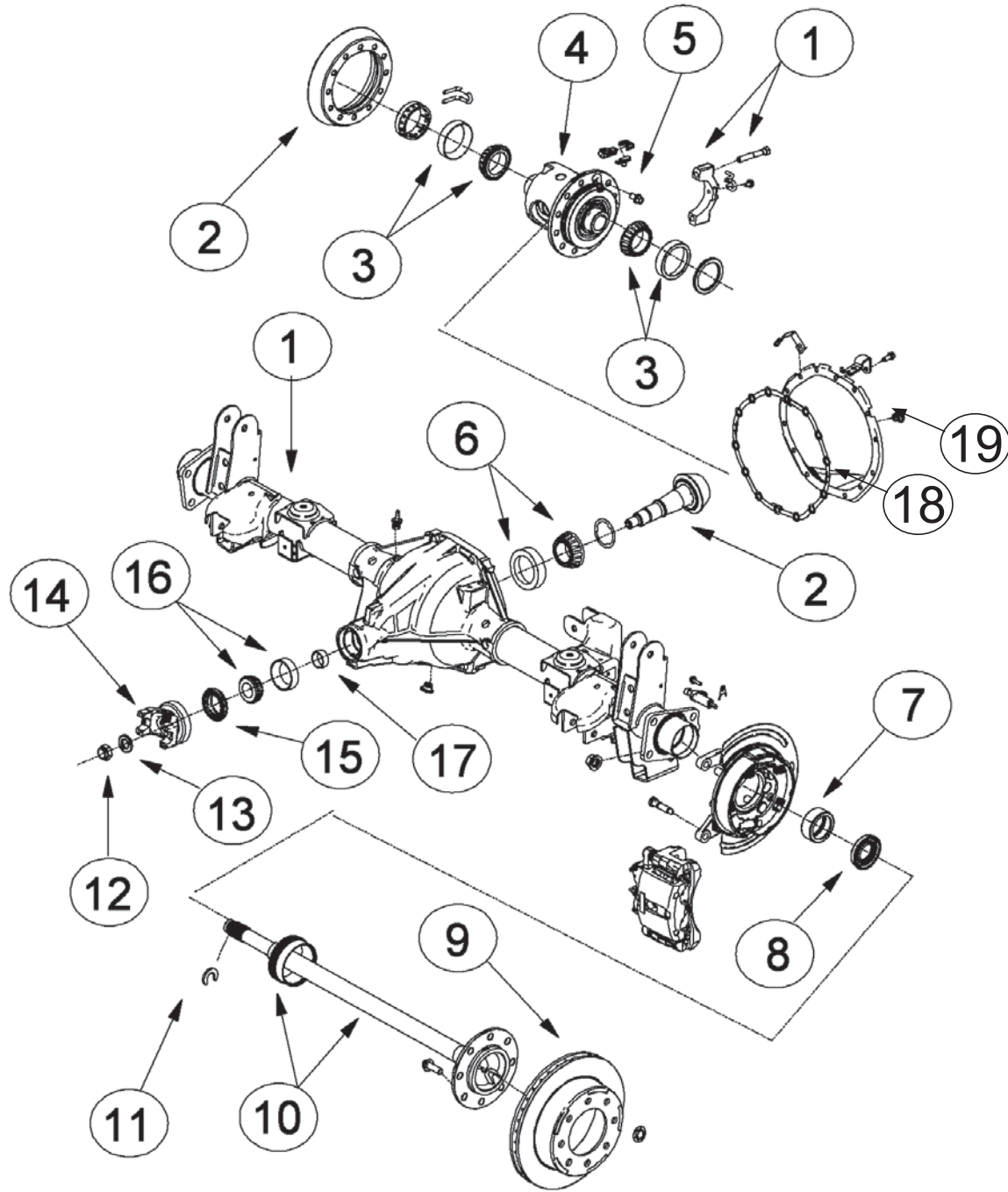




GM 9.5" REAR AXLE



ILL #	AAM PART NUMBER	OE PART NUMBER	DESCRIPTION	REQ	USAGE	MODEL YEAR
1			AXLE HOUSING		FOR REFERENCE ONLY	
2	40033637		RING & PINION GEAR SET (4.10 RATIO; 2 CUT)	1	H2	2003-2010
3	74005123	11505123	DIFF. CASE BEARING ASM (CUP & CONE)	2	H2	2003-2010
5	74002703	14012703	RING GEAR BOLT W/ ADHESIVE	12	H2	2003-2010
6	74007198	457108	LARGE PINION BEARING ASM (CUP & CONE)	1	H2	2003-2010
7	74009561	9430561	ROLLER BEARING ASM	2	H2	2003-2010
8	74007167	26057167	AXLE SHAFT SEAL	2	H2	2003-2010
9			ROTOR	2	H2	2003-2010
11	74002746	14012746	AXLE C LOCK	2	H2	2003-2010
12	74003762	9783762	PREVAILING TORQUE PINION NUT	1	H2	2003-2010
13	74007900	517900	PINION NUT WASHER	1	H2	2003-2010
14	26060881		PINION YOKE (1355 UJT 4 FOOTED)		H2	2003-2010
15	74004029	26064029	PINION SEAL	1	H2	2003-2010
16	74007781	9417781	SMALL PINION BEARING ASM (CUP & CONE)	1	H2	2003-2010
17	74002691	14012691	COLLAPSIBLE SPACER	1	H2	2003-2010
18	26063649	26063649	RUBBER OVER METAL COVERPAN GASKET	1	H2	1998+
19	40039024	15807699	COVERPAN	1	H2	2005+
19	26067253	26067253	COVERPAN	1	H2	1982-2004

AAM 950 REAR AXLE - (14 BOLT WITH E - LOCK)

VEHICLE REFERENCE GUIDE

H2 HUMMER





GM 9.5" REAR AXLE

74010012 9.5" REAR 14 BOLT - MASTER INSTALL KIT

Trailblazer SS, SSR, Savana, Express, Sierra, Silverado, Silverado SS, Yukon, Tahoe, Escalade, Suburban, H2
MODEL YEAR 1997 to Current

AAM PART #	O.E. PART #	DESCRIPTION	QTY
74003762	9783762	PREVAILING TORQUE PINION NUT	1
40012333		RUBBER OVER METAL COVERPAN GASKET	1
26063649	26063649	RUBBER OVER METAL COVERPAN GASKET	1
74007900	517900	PINION NUT WASHER	1
40007601		MAGNETIC FILL/DRAIN PLUG	1
40051815		AXLE SEAL	2
40001710		OUTPUT SEAL	2
	26060975	PINION SEAL SLEEVE	1
74002703	14012703	RING GEAR BOLT W/ ADHESIVE	12
40002169		COVERPAN BOLT W/ ADHESIVE	14
74002746	14012746	AXLE C LOCK	2
26064029		PINION SEAL	1
40000977		FILL PLUG - H2 ONLY	1
74002691	14012691	COLLAPSIBLE SPACER	1
		SIDE SHIM	24
		PINION SHIM	18

74067005 9.25" FRONT CLAMSHELL - MASTER BEARING KIT

Silverado, Sierra, Yukon XL, Suburban, Avalanche
MODEL YEAR 1988 to 2011

AAM PART #	O.E. PART #	DESCRIPTION	QTY
	454459	PINION HEAD BEARING ROLLER	1
	457258	PINION HEAD BEARING RACE	1
	9417782	PINION TAIL BEARING ROLLER	1
	9417783	PINION TAIL BEARING RACE	1
74003762	9783762	PREVAILING TORQUE PINION NUT	1
74007900	517900	PINION NUT WASHER	1
74002691	14012691	COLLAPSIBLE SPACER	1
	11505124	DIFF BEARING ROLLER	2
	11505125	DIFF BEARING RACE	2
	26064029	PINION SEAL	1

74020010 9.5" REAR 14 BOLT - PINION SEAL KIT

Silverado, Sierra, Yukon, Avalanche, Escalade, Jimmy, Bravada, Express, Suburban, Colorado, Canyon, H3, Trailblazer, Envoy, S10, Rainier, Blazer, Jimmy, Savana, Express, Tahoe, Astro, Sonoma, Safari
MODEL YEAR 1998 to Current

AAM PART #	O.E. PART #	DESCRIPTION	QTY
74007029	26064029	PINION SEAL	1
74007900	517900	PINION NUT WASHER	1
74003762	9783762	PREVAILING TORQUE PINION NUT	1
74002691	14012691	COLLAPSIBLE SPACER	1
	26060975	PINION SEAL SLEEVE	1

74050012 9.5" REAR 14 BOLT - OUTPUT SHAFT SEAL KIT

Tahoe, Yukon, Escalade, Trailblazer SS w/ VSES
MODEL YEAR 2003 to 2006, Trailblazer SS: 2006 to 2009

AAM PART #	O.E. PART #	DESCRIPTION	QTY
	14012746	AXLE C LOCK	2
	40001710	OUTPUT SEAL	2
	40008157	ROLLER BEARING ASM	2
	40016199	TONE RING	2

74050013 9.5" REAR 14 BOLT - OUTPUT SHAFT SEAL KIT

Sierra, Silverado, Tahoe, Yukon, Escalade, Suburban w/ VSES
MODEL YEAR 2007 to Current

AAM PART #	O.E. PART #	DESCRIPTION	QTY
	40008157	ROLLER BEARING ASM	2
	40001710	OUTPUT SEAL	2
	40030759	EXCITER RING	2
74002746	14012746	AXLE C LOCK	2

74050014 9.5" REAR 14 BOLT - OUTPUT SHAFT SEAL KIT

Silverado SS, SSR w/o VSES
MODEL YEAR 2005 to 2006

AAM PART #	O.E. PART #	DESCRIPTION	QTY
40001710		OUTPUT SEAL	2
40008157		ROLLER BEARING ASM	2
74002746	14012746	AXLE C LOCK	2

74050015 9.5" REAR - OUTPUT SHAFT SEAL KIT

H2, Savana, Express, Sierra, Silverado, Yukon XL, Suburban, Avalanche
MODEL YEAR 1997 to Current

AAM PART #	O.E. PART #	DESCRIPTION	QTY
74009561	9439561	ROLLER BEARING ASM	2
74002746	14012746	AXLE C LOCK	2
40001710		OUTPUT SEAL	2

74030010 9.5" REAR 14 BOLT - COVERPAN KIT

H2
MODEL YEAR 2003 to 2009

AAM PART #	O.E. PART #	DESCRIPTION	QTY
40007601		MAGNETIC FILL/DRAIN PLUG	1
40012333		RUBBER OVER METAL COVERPAN GASKET	1
40039024	40022474	COVERPAN	1
40002169		COVERPAN BOLT W/ ADHESIVE	14

74030011 9.5" REAR 14 BOLT - COVERPAN KIT

Trailblazer SS, SSR, Savana, Express, Sierra, Silverado, Silverado SS, Yukon, Tahoe, Escalade, Avalanche, Suburban
MODEL YEAR 1998 to Current

AAM PART #	O.E. PART #	DESCRIPTION	QTY
40039024	15807699	COVERPAN	1
26063649		RUBBER OVER METAL COVERPAN GASKET	1
40002169		COVERPAN BOLT W/ ADHESIVE	14
40007601		MAGNETIC FILL/DRAIN PLUG	1

AAM 950 REAR AXLE - (14 BOLT WITH E - LOCK)