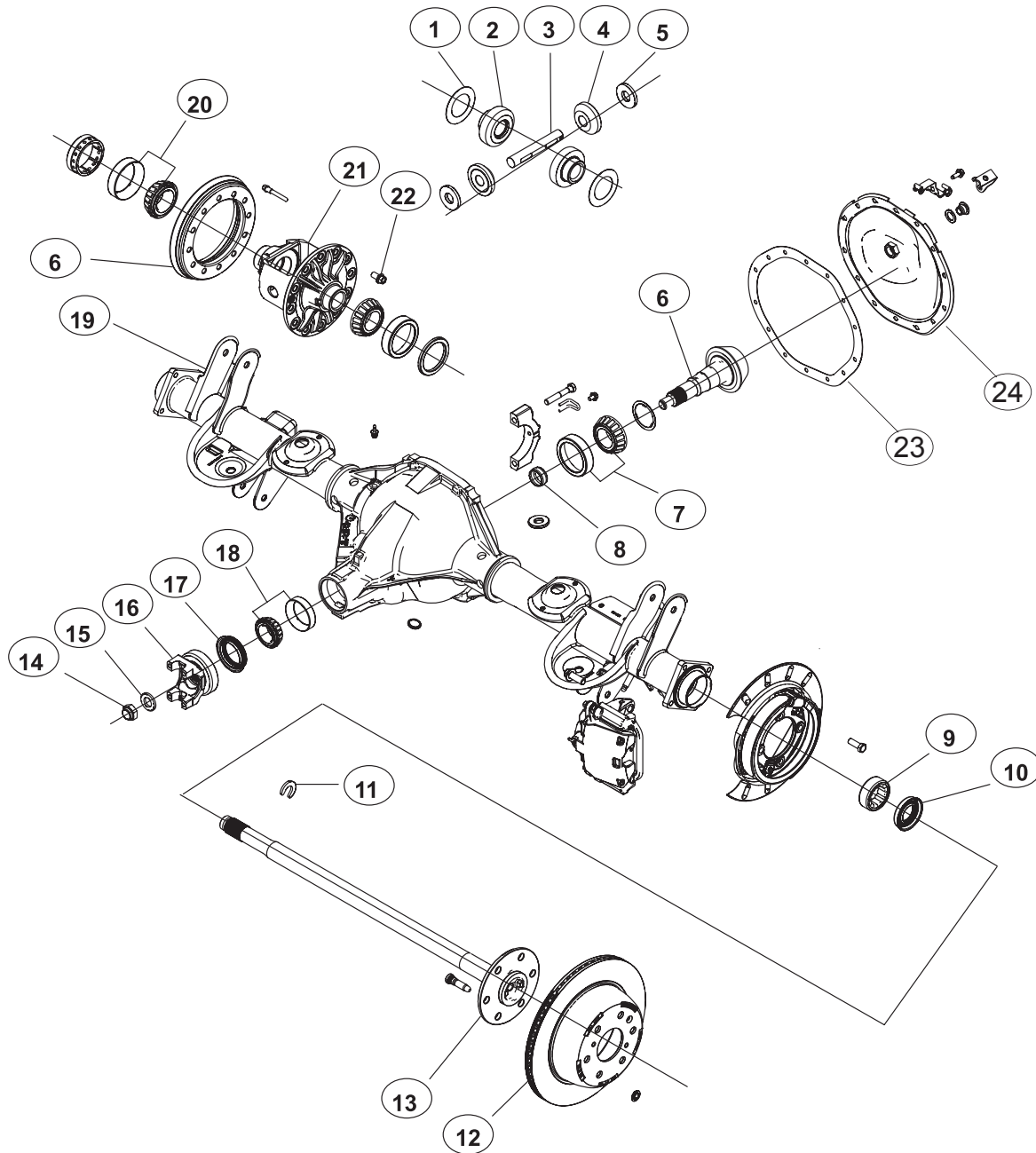




**GM 9.5" REAR AXLE**



ILL #	AAM PART NUMBER	OE PART NUMBER	DESCRIPTION	REQ	USAGE	MODEL YEAR
1	AVAILABLE IN KIT ONLY		SIDE THRUST WASHER	2	C;K	2005+
2	AVAILABLE IN KIT ONLY		SIDE GEAR	2	C;K	2005+
3	AVAILABLE IN KIT ONLY		PINION SHAFT	1	C;K	2005+
4	AVAILABLE IN KIT ONLY		PINION GEAR	2	C;K	2005+
5	AVAILABLE IN KIT ONLY		PINION THRUST WASHER	2	C;K	2005+
6	40051784	20914868	RING & PINION GEAR SET (3.42 RATIO; 2 CUT)	1	C;K	2005+
6	40033264	88965785	RING & PINION GEAR SET (3.73 RATIO; 2 CUT)	1	C;K	2005+
6	40033637	88967094	RING & PINION GEAR SET (4.10 RATIO; 2 CUT)	1	C;K	2005+
7	74007108	457108	LARGE PINION BEARING ASM	1	C;K	2005+
8	74002691	14012691	COLLAPSIBLE SPACER	1	C;K	2005+
9	74009461	9439461	AXLE SHAFT BEARING	2	C;K	2005+
10	74007167	26057167	AXLE SHAFT SEAL	2	C;K	2005+
11	74002746	14012746	AXLE C LOCK	2	C;K	2005+
12			ROTOR	2	C;K	2005+
14	74003762	9783762	PREVAILING TORQUE PINION NUT	1	C;K	2005+
15	74007900	517900	PINION NUT WASHER	1	C;K	2005+
16	26060881		PINION YOKE ( 1355 UJT 4 FOOTED)	1	C;K	2005+
17	74007029	26064029	PINION SEAL	1	C;K	2005+
18	74007781	9417781	SMALL PINION BEARING ASM (CUP & CONE)	1	C;K	2005+
19			AXLE HOUSING		FOR REFERENCE ONLY	
20	74005123	11505123	DIFF. CASE BEARING ASM (CUP & CONE)	2	C;K	2005+
21	74032695	14012695	DIFFERENTIAL OPEN CASE (WITHOUT INTERNALS)	1	C;K	2005+
21	40035046		DIFFERENTIAL OPEN CASE ASSEMBLY (WITH INTERNALS)		C;K;H2	2005+
22	74002703	14012703	RING GEAR BOLT W/ ADHESIVE	12	C;K	2005+
23	26063649	26063649	RUBBER OVER METAL COVERPAN GASKET	1	C;K	1998+
24	40039024	15807699	COVERPAN	1	C;K	2005+

**AAM 950 MULTILINK REAR AXLE (14 BOLT)**

**VEHICLE REFERENCE GUIDE**

- C TRUCK - 2 WHEEL DRIVE FULL-SIZE TRUCK & UTILITY
- K TRUCK - 4 WHEEL DRIVE FULL-SIZE TRUCK & UTILITY



**GM 9.5" REAR AXLE**

**74010012 9.5" REAR 14 BOLT - MASTER INSTALL KIT**  
Trailblazer SS, SSR, Savana, Express, Sierra, Silverado, Silverado SS, Yukon, Tahoe, Escalade, Suburban, H2  
MODEL YEAR 1997 to Current

AAM PART #	O.E. PART #	DESCRIPTION	QTY
74003762	9783762	PREVAILING TORQUE PINION NUT	1
40012333		RUBBER OVER METAL COVERPAN GASKET	1
26063649	26063649	RUBBER OVER METAL COVERPAN GASKET	1
74007900	517900	PINION NUT WASHER	1
40007601		MAGNETIC FILL/DRAIN PLUG	1
40051815		AXLE SEAL	2
40001710		OUTPUT SEAL	2
	26060975	PINION SEAL SLEEVE	1
74002703	14012703	RING GEAR BOLT W/ ADHESIVE	12
40002169		COVERPAN BOLT W/ ADHESIVE	14
74002746	14012746	AXLE C LOCK	2
26064029		PINION SEAL	1
40000977		FILL PLUG - H2 ONLY	1
74002691	14012691	COLLAPSIBLE SPACER	1
		SIDE SHIM	24
		PINION SHIM	18

**74067005 9.25" FRONT CLAMSHELL - MASTER BEARING KIT**  
Silverado, Sierra, Yukon XL, Suburban, Avalanche  
MODEL YEAR 1988 to 2011

AAM PART #	O.E. PART #	DESCRIPTION	QTY
454459		PINION HEAD BEARING ROLLER	1
457258		PINION HEAD BEARING RACE	1
9417782		PINION TAIL BEARING ROLLER	1
9417783		PINION TAIL BEARING RACE	1
74003762	9783762	PREVAILING TORQUE PINION NUT	1
74007900	517900	PINION NUT WASHER	1
74002691	14012691	COLLAPSIBLE SPACER	1
	11505124	DIFF BEARING ROLLER	2
	11505125	DIFF BEARING RACE	2
	26064029	PINION SEAL	1

**74047037 9.5" REAR 14 BOLT - 33 TOOTH - DIFFERENTIAL GEAR KIT**  
Sierra, Silverado, Suburban, Yukon XL, Avalanche, H2  
MODEL YEAR 1988 to 2006, 1981 to Current

AAM PART #	O.E. PART #	DESCRIPTION	QTY
		PINION GEAR	2
		PINION THRUST WASHER	2
		SIDE GEAR	2
		PINION SHAFT	1
		SIDE THRUST WASHER	2
		PINION SHAFT LOCK SCREW	1

**74020010 9.5" REAR 14 BOLT - PINION SEAL KIT**  
Silverado, Sierra, Yukon, Avalanche, Escalade, Jimmy, Bravada, Express, Suburban, Colorado, Canyon, H3, Trailblazer, Envoy, S10, Rainier, Blazer, Jimmy, Savana, Express, Tahoe, Astro, Sonoma, Safari  
MODEL YEAR 1998 to Current

AAM PART #	O.E. PART #	DESCRIPTION	QTY
74007029	26064029	PINION SEAL	1
74007900	517900	PINION NUT WASHER	1
74003762	9783762	PREVAILING TORQUE PINION NUT	1
74002691	14012691	COLLAPSIBLE SPACER	1
	26060975	PINION SEAL SLEEVE	1

**74050012 9.5" REAR 14 BOLT - OUTPUT SHAFT SEAL KIT**  
Tahoe, Yukon, Escalade, Trailblazer SS w/ VSES  
MODEL YEAR 2003 to 2006, Trailblazer SS: 2006 to 2009

AAM PART #	O.E. PART #	DESCRIPTION	QTY
14012746		AXLE C LOCK	2
40001710		OUTPUT SEAL	2
40008157		ROLLER BEARING ASM	2
40016199		TONE RING	2

**74050013 9.5" REAR 14 BOLT - OUTPUT SHAFT SEAL KIT**  
Sierra, Silverado, Tahoe, Yukon, Escalade, Suburban w/ VSES  
MODEL YEAR 2007 to Current

AAM PART #	O.E. PART #	DESCRIPTION	QTY
40008157		ROLLER BEARING ASM	2
40001710		OUTPUT SEAL	2
40030759		EXCITER RING	2
74002746	14012746	AXLE C LOCK	2

**74050014 9.5" REAR 14 BOLT - OUTPUT SHAFT SEAL KIT**  
Silverado SS, SSR w/o VSES  
MODEL YEAR 2005 to 2006

AAM PART #	O.E. PART #	DESCRIPTION	QTY
40001710		OUTPUT SEAL	2
40008157		ROLLER BEARING ASM	2
74002746	14012746	AXLE C LOCK	2

**74050015 9.5" REAR - OUTPUT SHAFT SEAL KIT**  
H2, Savana, Express, Sierra, Silverado, Yukon XL, Suburban, Avalanche  
MODEL YEAR 1997 to Current

AAM PART #	O.E. PART #	DESCRIPTION	QTY
74009561	9439561	ROLLER BEARING ASM	2
74002746	14012746	AXLE C LOCK	2
40001710		OUTPUT SEAL	2

**74030010 9.5" REAR 14 BOLT - COVERPAN KIT**  
H2  
MODEL YEAR 2003 to 2009

AAM PART #	O.E. PART #	DESCRIPTION	QTY
40007601		MAGNETIC FILL/DRAIN PLUG	1
40012333		RUBBER OVER METAL COVERPAN GASKET	1
40039024	40022474	COVERPAN	1
40002169		COVERPAN BOLT W/ ADHESIVE	14

**74030011 9.5" REAR 14 BOLT - COVERPAN KIT**  
Trailblazer SS, SSR, Savana, Express, Sierra, Silverado, Silverado SS, Yukon, Tahoe, Escalade, Avalanche, Suburban  
MODEL YEAR 1998 to Current

AAM PART #	O.E. PART #	DESCRIPTION	QTY
40039024	15807699	COVERPAN	1
26063649		RUBBER OVER METAL COVERPAN GASKET	1
40002169		COVERPAN BOLT W/ ADHESIVE	14
40007601		MAGNETIC FILL/DRAIN PLUG	1

AAM 950 MULTILINK REAR AXLE (14 BOLT)