

SPICER[®]
DRIVETRAIN COMPONENTS

GM/CHEVROLET
1979-2002



X510-3
January, 2003

Supersedes X510-3DSD
dated October 1999.



People Finding A Better Way

CONTENTS

How to Use This Catalog 2

General Information 4

Axle Kits 6

Model Super 70/273 Front Axles

 Exploded View 8

 Parts Listing 9

 Bill of Material Table..... 10

Model 60 /248 Rear Axles - Rear Steer

 Exploded View 8

 Parts Listing 9

 Bill of Material Table..... 10

 Variable Parts Table 11

Model 60 /248 Rear Axles

 Exploded View 8

 Parts Listing 9

 Bill of Material Table..... 10

 Variable Parts Table 11

Model Super 70 /267 & Super 70/273 Rear Axles

 Exploded View 8

 Parts Listing 9

 Bill of Material Table..... 10

 Variable Parts Table 11

Model 80 /286 Rear Axles

 Exploded View 8

 Parts Listing 9

 Bill of Material Table..... 10

 Variable Parts Table 11

Camber/ Caster Bushing Table

Bearing Adjustment Shim Table

How to Use This Catalog

This catalog contains applications and part listings for front and rear axles which fit GM/Chevrolet vehicles from model years **2000** and newer.

The data in this publication is arranged in numerical order by model for front axles and then for rear axles. Each model contains the following three sections as appropriate:

- **Parts Listing and Exploded View**

This section contains an exploded view of the axle and lists all the part numbers for those parts illustrated. The parts that do not have a common part number have a footnote reference indicating where to find the correct part number for each Bill of Material.

X510-3

60/248 Rear Axle - Rear Steer Parts Listing

ITEM NO.	PART NUMBER	DESCRIPTION	ITEM NO.	PART NUMBER	DESCRIPTION
1	-(3)	Housing - Axle Serv	24	49059	Pinion - Differential (std)
2	-(1)	Drive Pinion & Gear Assm	25	31192	Gear - Differential (std)
3	50330 (5)	Shims - Variable Thickn	26	34730	Thrustwasher - Diff Pinion (std,t/l)
4	706046X	KIT - Inner Pinion Bear	27	34729	Thrustwasher - Diff Gear (std)
5	51467	Baffle - Pinion Oil	28	30263	Shaft - Differential (std,t/l)
6	34801 (5)	Shims	29	44810	Lock - Differential Shaft(std,t/l)
7	706045X	KIT - Outer Pinion Bearing	30	52148	Oil Seal

- **Bill of Material Table**

This section contains vehicle applications listed in order by year. Included in the table are the major kits and assemblies for each Bill of Material number.

60/248 Rear Axle - Rear Steer Bill of Material Table

X510-3

Bill of Material	Axle Diff. Type	Axle Ratio	Ring Gear & Pinion Kit ⁽⁷⁾	Axle Kits			Shaft & Joint Assy.	
				Case Assy. Kit ⁽⁸⁾	Case Kit	Inner Parts Kit	Right Hand Shaft Assy.	Left Hand Shaft Assy.
2002 GMT 800								
606322-1	Standard	3.73	84227-5	50797	708011	-	51190	51190
606322-2	Standard	4.10	84226-5	50797	708011	-	51190	51190
606322-3	Trac Lok	3.73	84227-5	50798	708014	84184	51190	51190
606322-4	Trac Lok	4.10	84226-5	50798	708014	84184	51190	51190
606807-1	Standard	3.73	84227-5	50797	708011	-	51190	51190
606807-2	Standard	4.10	84226-5	50797	708011	-	51190	51190
606807-3	Trac Lok	3.73	84227-5	50798	708014	84184	51190	51190
606807-4	Trac Lok	4.10	84226-5	50798	708014	84184	51190	51190

- **Variable Parts Table**

This section contains the individual part numbers that vary by Bill of Material number for a given model.

X510-3

60/248 Rear Axle - Rear Steer Variable Parts Listing



Parts & Kits - Use With All Applications					
	Description & Item Number (Refer to "Exploded View" at the front of this section)	Bills of Material			
		606807	606905	606906	606916
1	KIT - Carrier Cover	708202	708112	708202	708202
2	Bolt Pkg - Carrier	703004	703004	703025	703025
1	KIT - Carrier Cover	-	708202	708202	

Note: Additional information on Spicer axles can be found in our General Information catalog number XGI. It contains the following sections:

- Bill of Material Numerical Listing
- Ring and Pinion Kits
- Differential Case Assembly Kits
- Axle Shaft Dimension and Components

General Information

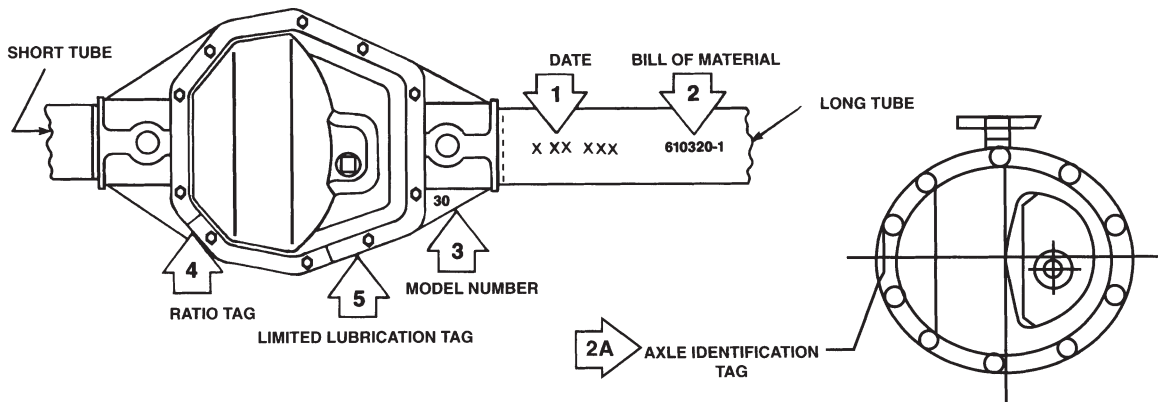
How To Identify A Spicer Axle

All Spicer Carrier Type axles are identified with a manufacturing date (1) and Bill of Material number (2) stamped on the right or left hand tube on driving axles. The Bill of Material number may also be found on the carrier in some models as shown in illustration (2A). For independent front suspension (IFS) axles, the B/M number may be located at one of three locations: 1) A vertically positioned tag near the center of the right hand side support arm, 2) stamped into the left hand side support arm (opposite end of the camber adjuster), or 3) stamped into the "nose end" of the axle carrier. The location of the information will depend on the manufacturing date of the axle.

The axle model number will be cast into one of the webs as shown (3), or it can be on the nose.

Each axle contains a gear ratio tag (4), and if the axle is equipped with a limited slip differential, it will have a tag specifying the type of limited slip lubricant to be used (5).

Refer to the appropriate model number section for parts identification and a breakdown of the Bill of Material.



How To Change Gear Ratios

To increase or decrease a gear ratio, there are certain steps that must be taken. The differential case depends upon the ratio desired. For each axle model, there is a high-ratio and a low-ratio case as illustrated below:

Axle Model	Low Ratio Case	High Ratio Case	Axle Model	Low Ratio Case	High Ratio Case
27	3.73 and Down	3.92 and Up	Super 44/226	None	3.07 and Up
28/174	3.45 and Down	3.73 and Up	50/229	4.30 and Down	—
28/174 IFS Aerostar	3.27, 3.73	—	60/248	4.10 and Down	4.56 and Up
30/181	3.55 and Down	3.73 and Up	Super 60/256	4.30 and Down	4.56 and Up
Super 30/186	3.55 and Down	3.73 and Up	61 Semi Float	3.00 and 3.07 only	—
35/194	2.35 only	—	61 Full Float	3.31 and Down	3.54 and Up
35/194	2.73 - 3.31	3.54 and Up	70/267	4.10 and Down	4.56 and Up
Super 35/198	2.73 - 3.31	3.54 and Up	70-3HD	3.42 and Down	3.73 and Up
36/200 ICA	2.73 and Down	3.07 and Up	70-2UA	3.07 only	—
44/216	3.73 and Down	3.92 and Up	Super 70/273	None	4.10 and Up
44/216 ICA	—	—	80/286	3.73 and Down	4.10 and Up
1984 & earlier	3.73 and Down	3.92 and Up			
44/216 ICA	—	—			
1985 & later	2.87 and Down	3.07 and Up			

Example - If you have a model 44 Rear Axle with a 3.54 ratio and wish to change to a 3.73 ratio, you change only the ring gear and pinion assembly. If you change the ratio to a 4.09, you must change to a high-ratio case in addition to changing the ring gear and pinion. The application section will show you what case to use. When the vehicle is equipped with both front and rear driving axles, the gear ratios must be the same in both axles. **The drive gear screws are self-locking and must be replaced with new screws each time that they are removed.**

How Limited Slip Differentials Operate

A conventional differential transmits all the ring gear torque through the differential gears to the axle shafts. Torque is at all times equal on the axle shafts, and if one wheel slips, the other wheel can only put out as much torque as the slipping wheel.

The Spicer Limited Slip differential has the same power flow as a conventional differential, plus a more direct flow which automatically takes effect as driving conditions demand. This more direct power flow is from the differential case to each axle shaft through a clutch plate and disc arrangement.

Arrangement of these plates and discs is at the option of the vehicle manufacturer, so care should be taken during disassembly to note the arrangement of these components.

The Limited Slip construction permits differential action when required for turning corners and transmits equal torque to both wheels when driving straight ahead. However, when one wheel tries to spin due to leaving the ground, a patch of ice, etc., the clutch packs automatically provide more torque to the wheel which is not trying to spin.

The Limited Slip differential resists wheel spin on bumpy roads and provides more pulling power when one wheel tries to slip. In many cases of differences in traction, pulling power will be automatically provided until both wheels start to slip.

In diagnosis of vehicle operators' complaints, it is important to recognize two things.

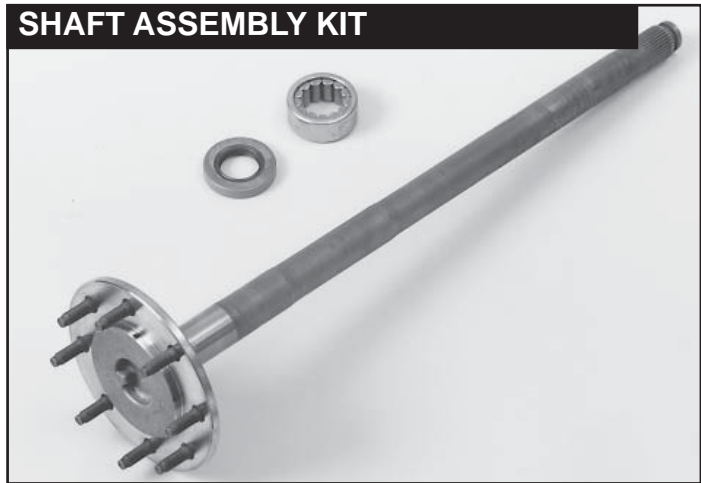
1. If, with unequal traction, both wheels slip, the Limited Slip Differential has done all it can possibly do.
2. In extreme cases of differences in traction, the wheel with the least traction may spin after the Limited Slip has transferred as much torque as possible to the non-slipping wheel.

How To Obtain Special Service Tools

Special service tools (see service manuals) can be obtained from the following company:

Kent-Moore
OE Tool and Equipment Group
SPX Corporation
28635 Mound Road
Warren MI 48092-3499
(800) 345-2233

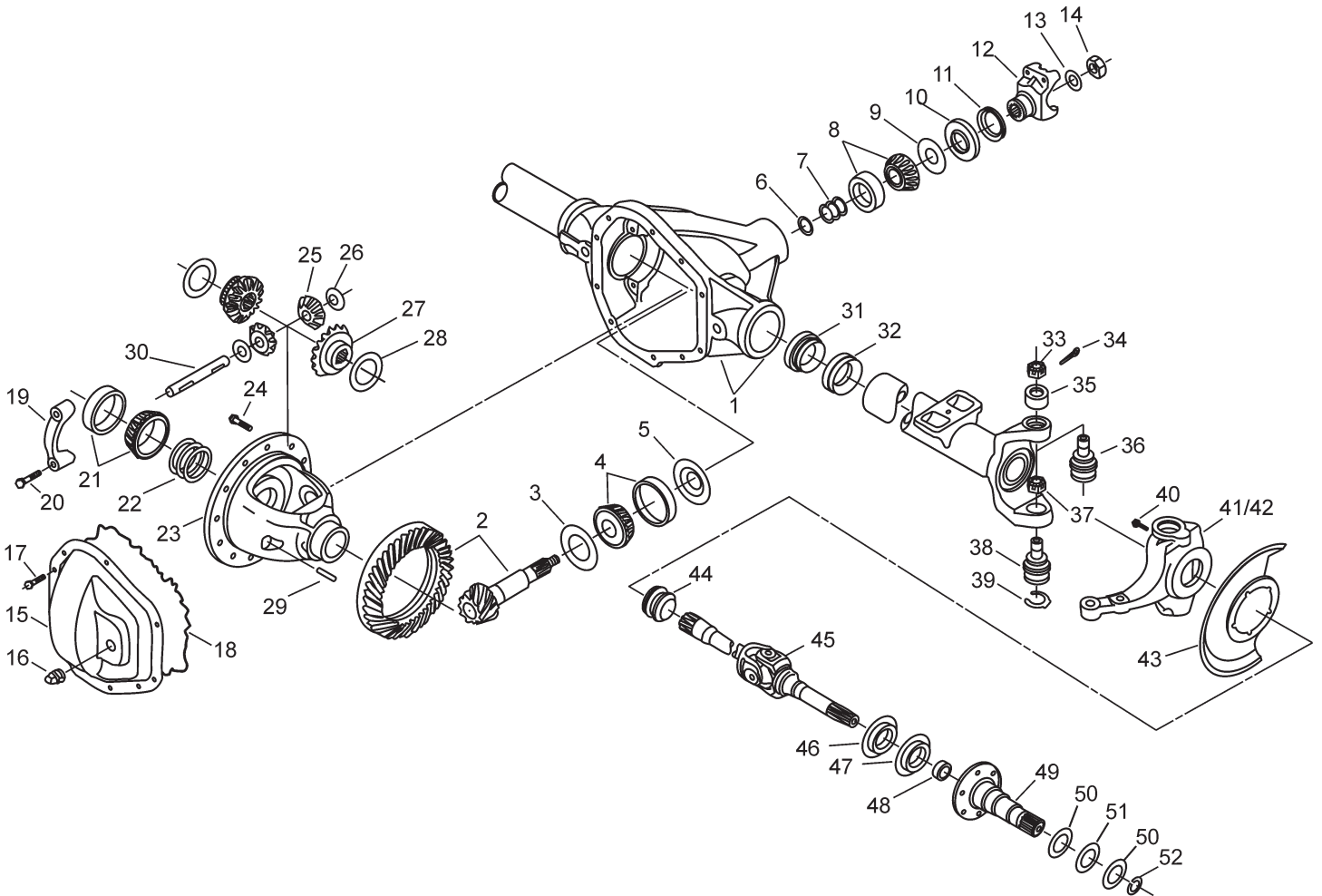
SPICER® LIGHT AXLE KITS



**Model Super 70/273
Front Axles
for**

GMT 560

Super 70/273 Front Axle Exploded View



Super 70/273 Front Axle Parts Listing

ITEM NO.	PART NUMBER	DESCRIPTION	ITEM NO.	PART NUMBER	DESCRIPTION
1	-(3)	Housing - Axle Service	28	52271	Thrustwasher - Diff Gear
2	-(1)	Drive Pinion & Gear Kit	29	47024	Lock - Differential Shaft
3	-	Shim - Inner Pinion Adj See Shim Table	30	52662	Shaft - Differential
4	706060X	Inner Pinion Bearing	31	52148	Seal - Guide Tube
5	53837	Baffle - Pinion Bearing	32	54755-2	Guide Tube
6	46176	Spacer - Flat		2005428	KIT - Socket Assembly - Upper (inc 32,33,35)
7	34801- (5)	Shim - Outer Pinion Bearing		2005429	KIT - Socket Assembly - Lower (inc 36,37,38)
8	706045X	KIT - Outer Pinion Bearing			
9	42737	Thrustwasher - Bearing	33	44101	Nut - Hex Slotted
	703011	PKG - Seal (inc 9 & 10)	34	500024-8	Pin - Cotter
10	50574	Seal - Pinion	35	54817	Bushing
11	47886	Seal - End Yoke		-(6)	(Alternate Bushing Selection)
12	-(2)	End Yoke	36	2004033	Socket - Upper
13	30275	Washer - Pinion Nut	37	44133	Nut - Hex Jam
14	30271	Nut - Pinion	38	55427	Socket - Lower
	2003064	KIT - Carrier Cover (inc 15,16,17)	39	54091	Snap Ring
15	53066	Cover - Carrier	40	54400-1	Bolt
16	2001762	Plug - Carrier Cover	41	-(3)	Knuckle - Right
17	47508-2	Bolt - Carrier Cover (qty 10)	42	-(3)	Knuckle - Left
18	34687	Gasket - Carrier Cover	43	-(4)	Dust Shield
19	-(3)	Cap - Differential Bearing	44	53877	Seal - Oil
20	48632-1	Bolt - Differential Bearing Cap	45	-(1)	Shaft & Joint Assembly
21	706070X	KIT - Differential Bearing	46	50381	Seal
22	701133X	KIT - Diff Brg Adj Shim	47	44506	Seal
23	-(1)	Case - Differential	48	620063	Needle Bearing Assembly
24	40638	Bolt - Drive Gear (qty 12)	49	-	Spindle - Wheel Bearing Assy (inc 4)
25	53194	Pinion - Differential	50	54204	Thrustwasher
26	52270	Thrustwasher - Diff Pinion	51	54205	Thrustwasher
27	52636	Gear - Differential (std)	52	54197	Snap Ring

- (1) See "Bill of Material Table" on next page
(2) See "Variable Parts Table" within this section
(3) Contact Vehicle Manufacturer
(4) Not Sold Separately
(5) See shim table in the back of this catalog
(6) See Camber/Casting Bushing Table at the back of this catalog.

Super 70/273 Front Axle Bill of Material Table

Axle			Axle Kits				Shaft & Joint Assy.	
Bill of Material	Diff. Type	Ratio	Ring Gear & Pinion Kit ⁽⁷⁾	Differential			Right Hand Shaft Assy.	Left Hand Shaft Assy.
				Case Assy. Kit ⁽⁸⁾	Case Kit	Inner Parts Kit		
2004-07 GMT 560								
2004048-1	Standard	5.13	85098-5	84692	52589	708181	85059-1	85059-2
2007438-1	Standard	5.13	85098-5	84692	52589	708181	85059-1	85059-2
2005 GMT 560								
611263-1	Standard	5.13	85098-5	84692	52589	708181	85059-1	85059-2

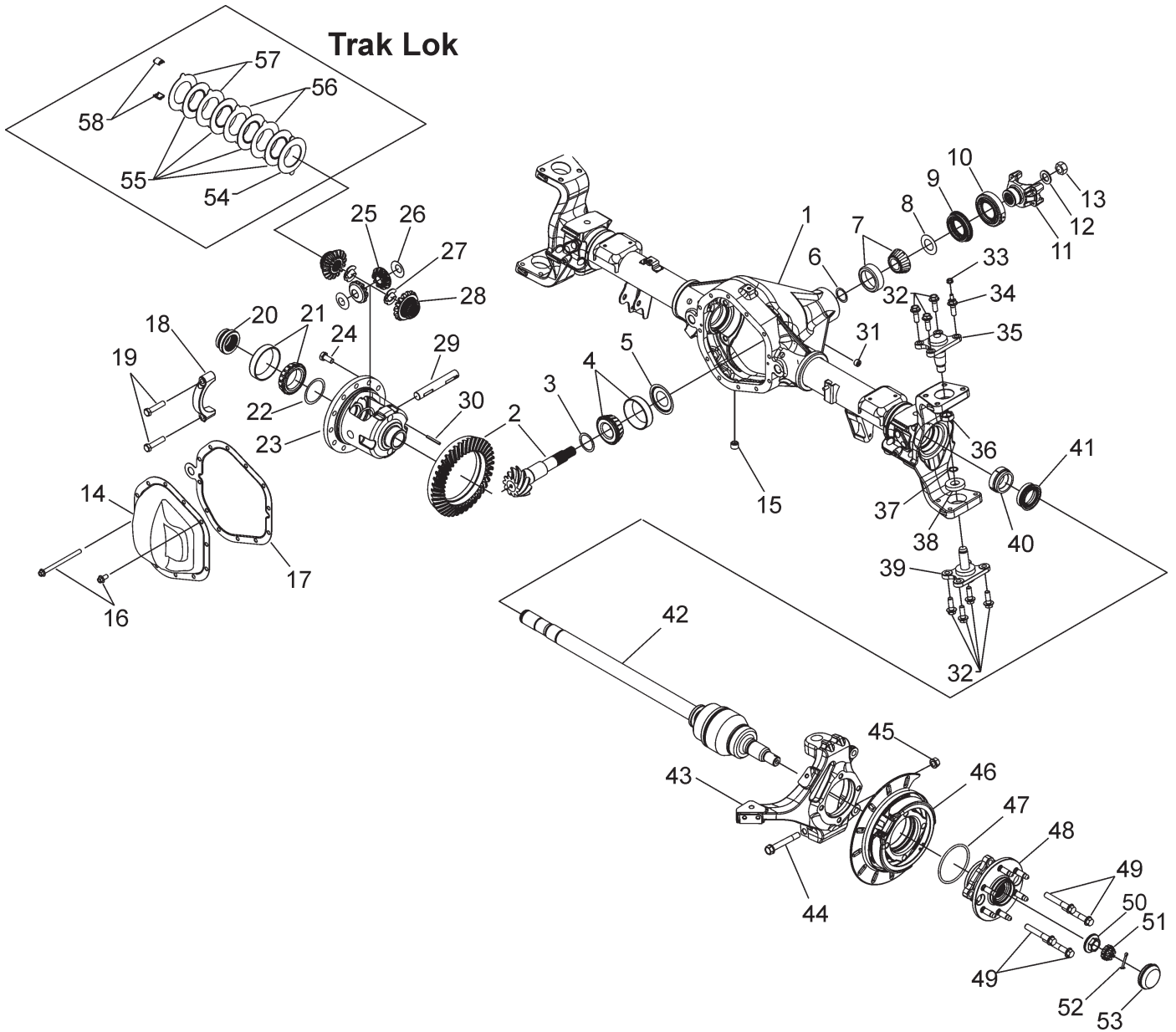
Variable Parts Listing

Kits & Parts - Use With All Applications						
	Description & Item Number (Refer to "Exploded View" at the front of this section)		Bills of Material			
			2004048	2007438	611263	
1	End Yoke	12	3-4-03491-1	3-4-03491-1	3-4-14811-1	

**Model 60/248
Rear Axles - Rear Steer
for**

GMT 800

60/248 Rear Axle - Rear Steer Exploded View



60/248 Rear Axle - Rear Steer Parts Listing

ITEM NO.	PART NUMBER	DESCRIPTION	ITEM NO.	PART NUMBER	DESCRIPTION
1	-(3)	Housing - Axle Service	30	44810	Lock - Differential Shaft(std,t/l)
2	-(1)	Drive Pinion & Gear Assembly	31	50767	Plug - Pipe
3	50330 (5)	Shims - Variable Thicknesses	32	50777-1	Screw - Flange Head
4	706046X	KIT - Inner Pinion Bearing	33	48205	Nut - Lock
5	51467	Baffle - Pinion Oil	34	51324-1	Cotter Pin
6	34801 (5)	Shims	35	50778	Socket Assembly - Upper
7	706045X	KIT - Outer Pinion Bearing	36	44133	Nut
8	42737	Thrustwasher	37	51189	Snap Ring
9	2001243	Seal - Pinion Oil	38	50783	Seal - Washer
10	-	Oil Seal	39	50779	Socket Assembly (lower)
11	3-4-14521-1X	End Yoke Assembly	40	51241	Guide - Axle Shaft
12	30275	Washer - Pinion Nut	41	51185	Oil Seal
13	30271	Pinion Nut	42	-(3)	Shaft & Joint Assembly
	-(2)	KIT - Carrier Cover (inc items 14, 16, 17)	43	-(3)	Knuckle
14	50794	Carrier Cover	44	50774-1	Screw - Flange Head
15	-	Plug - Carrier Cover	45	48660	Nut - Hex Flange
16	-(2)	Bolt Pkg - Carrier	46	-(3)	Brake Assembly
17	50793	Gasket - Carrier	47	50787	O-Ring
18	-(3)	Differential Bearing Cap	48	-(3)	Hub Assembly
19	48632-1	Bolt - Differential Bearing Cap	49	50773-1	Screw - Hub
20	52148	Oil Seal	50	50784	Nut - Lock
21	707489X	KIT - Differential Bearing	51	51413	Nut - Retainer
22	49541 (5)	Shim - Differential	52	500026-12	Cotter Pin
23	-(1)	Case Differential	53	-(3)	Cap - Hub
24	40638	Bolt - Drive Gear (qty 12)		707083X	Kit - Diff Plate & Disc (t/l) (inc 54, 55, 56, 57, 58)
25	49059	Pinion - Differential (std)	54	-(4)	Spacer - Plate Preload
26	34730	Thrustwasher - Diff Pinion (std,t/l)	55	-(4)	Disc Assy - Friction
27	51125	Snap Ring	56	-(4)	Plate - Diff Pressure
28	51192	Gear - Differential (std)	57	-(4)	Plate - Diff Pressure
29	30263	Shaft - Differential (std,t/l)	58	40835	Retainer - Diff Clutch

- (1) See "Bill of Material Table" on next page
(2) See "Variable Parts Table" within this section
(3) Contact Vehicle Manufacturer
(4) Not Sold Separately
(5) See shim table in the back of this catalog

60/248 Rear Axle - Rear Steer Bill of Material Table

Axle			Axle Kits				Shaft & Joint Assy.	
Bill of Material	Diff. Type	Ratio	Ring Gear & Pinion Kit ⁽⁷⁾	Differential			Right Hand Shaft Assy.	Left Hand Shaft Assy.
				Case Assy. Kit ⁽⁸⁾	Case Kit	Inner Parts Kit		
2002 GMT 800								
606322-1	Standard	3.73	84227-5	50797	708011	-	51190	51190
606322-2	Standard	4.10	84226-5	50797	708011	-	51190	51190
606322-3	Trac Lok	3.73	84227-5	50798	708014	84184	51190	51190
606322-4	Trac Lok	4.10	84226-5	50798	708014	84184	51190	51190
606807-1	Standard	3.73	84227-5	50797	708011	-	51190	51190
606807-2	Standard	4.10	84226-5	50797	708011	-	51190	51190
606807-3	Trac Lok	3.73	84227-5	50798	708014	84184	51190	51190
606807-4	Trac Lok	4.10	84226-5	50798	708014	84184	51190	51190
606905-1	Standard	3.73	84227-5	50797	708011	-	51190	51190
606905-2	Standard	4.10	84226-5	50797	708011	-	51190	51190
606905-3	Trac Lok	3.73	84227-5	50798	708014	84184	51190	51190
606905-4	Trac Lok	4.10	84226-5	50798	708014	84184	51190	51190
606906-1	Standard	3.73	84227-5	50797	708011	-	51190	51190
606906-2	Standard	4.10	84226-5	50797	708011	-	51190	51190
606906-3	Trac Lok	3.73	84227-5	50798	708014	84184	51190	51190
606906-4	Trac Lok	4.10	84226-5	50798	708014	84184	51190	51190
606916-1	Standard	3.73	84227-5	50797	708011	-	51190	51190
606916-2	Standard	4.10	84226-5	50797	708011	-	51190	51190
606916-3	Trac Lok	3.73	84227-5	50798	708014	84184	51190	51190
606916-4	Trac Lok	4.10	84226-5	50798	708014	84184	51190	51190
606931-1	Standard	3.73	84227-5	50797	708011	-	51190	51190
606931-2	Standard	4.10	84226-5	50797	708011	-	51190	51190
606931-3	Trac Lok	3.73	84227-5	50798	708014	84184	51190	51190
606931-4	Trac Lok	4.10	84226-5	50798	708014	84184	51190	51190
606995-1	Standard	3.73	84227-5	50797	708011	-	51190	51190
606995-2	Standard	4.10	84226-5	50797	708011	-	51190	51190
606995-3	Trac Lok	3.73	84227-5	50798	708014	84184	51190	51190
606995-4	Trac Lok	4.10	84226-5	50798	708014	84184	51190	51190

(7) See Ring Gear & Pinion Kits in XGI Catalog for ratio & tooth combinations.

(8) See Differential Case Assy Kits in XGI Catalog for spline data & ratios.

(9) Serviced with complete differential case assembly kit only.

60/248 Rear Axle - Rear Steer Variable Parts Listing



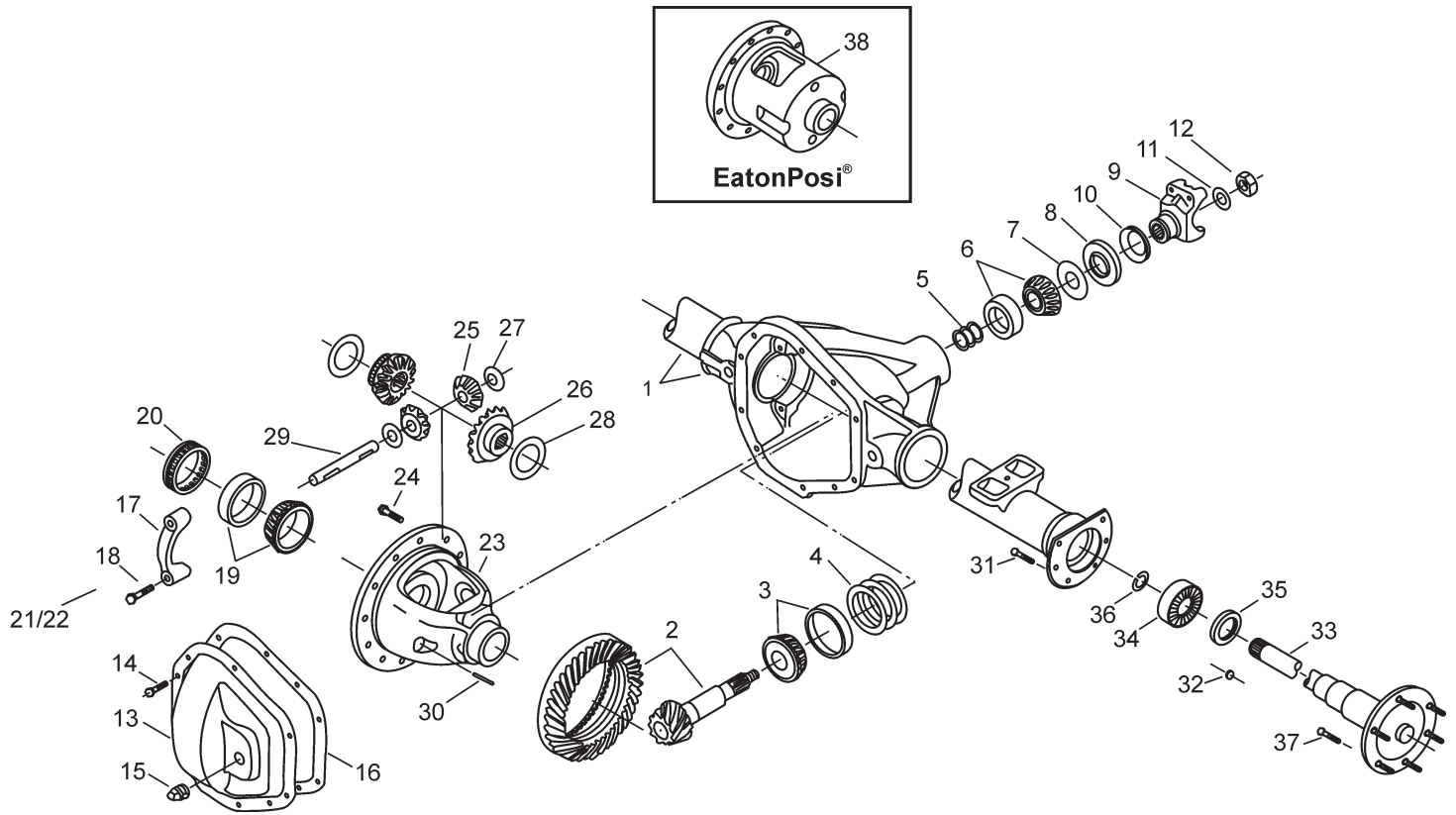
Kits & Parts - Use With All Applications							
Description & Item Number (Refer to "Exploded View" at the front of this section)			Bills of Material				
			606322	606807	606905	606906	606916
1	KIT - Carrier Cover	-	708112	708112	708112	708202	708202
2	Bolt Pkg - Carrier	16	703004	703004	703004	703025	703025
			606931	606995			
1	KIT - Carrier Cover	-	708202	708202			
2	Bolt Pkg - Carrier	16	703025	703025			

NOTES

**Model 60/248
Rear Axles
for**

GMT 610

60/248 Rear Axle Exploded View



60/248 Rear Axle Parts Listing

ITEM NO.	PART NUMBER	DESCRIPTION	ITEM NO.	PART NUMBER	DESCRIPTION
1	-(3)	Housing - Axle Service	18	48632-1	Bolt - Differential Bearing Cap
2	-	Drive Pinion & Gear Assembly	19	707489X	KIT - Differential Bearing
3	706046X	Inner Pinion Bearing Kit	20	-(3)	Adjuster - Diff Bearing
	2017591	Bearing Installation Kit	21	-(3)	Clip - Adjusting Ring
	2017593	Master Overhaul Kit	22	52238-1	Screw - Flange Head
	73435X	KIT - Pinion Brg Shim (outer)	23	-(1)	Case - Differential (std)
4	52157- (5)	Inner Pinion Shims	24	40638	Bolt - Drive gear (qty 12)
5	34801- (5)	Outer Pinion Shims	25	53204	Pinion - Differential (std)
6	706045X	KIT - Outer Pinion Bearing	26	52172	Gear - Differential (std)
7	42737	Thrustwasher	27	52250	Thrustwasher - Diff Pinion (std)
8	50637	Seal - Pinion Oil	28	52251	Thrustwasher - Diff Gear (std)
9	3-4-14701-1X	End Yoke Assembly (inc 10)	29	52520	Shaft - Differential (std)
10	52392	Slinger - End Yoke	30	52518	Lock - Differential Shaft
11	30275	Washer - Pinion Nut	31	-(3)	Bolt - Brake Mounting
12	2001153	Nut - Pinion	32	-(3)	Nut - Brake Mounting Drive
	84478	KIT - Carrier Cover (inc 13,15)	33	-(1)	Shaft - Axle Flanged Drive
13	52016	Cover - Carrier	34	566117	Wheel Bearing Assembly
14	47508-1	Bolt - Carrier Cover	35	46995	Seal - Outboard Oil
15	2001762-1	Plug - Carrier Cover	36	52268	Retainer - Axle Shaft
16	34687	Gasket	37	2003870	Bolt - Axle Shaft
	38615	RTV Silicone Sealant	38	-(3)	Case - Differential-Non-Dana Design
17	-(3)	Cap - Differential Bearing			

- (1) See "Bill of Material Table" on next page
(2) See "Variable Parts Table" within this section
(3) Contact Vehicle Manufacturer
(4) Not Sold Separately
(5) See shim table in the back of this catalog

60/248 Rear Axle Bill of Material Table

Axle			Axle Kits				Shaft & Joint Assy.	
Bill of Material	Diff. Type	Ratio	Ring Gear & Pinion Kit ⁽⁷⁾	Differential			Right Hand Shaft Assy.	Left Hand Shaft Assy.
				Case Assy. Kit ⁽⁸⁾	Case Kit	Inner Parts Kit		
2002 GMT 610								
606684-1	Standard	3.73	84459-5	84627	52436	708197	84489-3	84489-4
606684-2	EatonPosi	3.73	84459-5	52373	-	-	84489-3	84489-4
606684-3	Standard	4.10	84461-5	84627	52436	708197	84489-3	84489-4
606684-4	EatonPosi	4.10	84461-5	52373	-	-	84489-3	84489-4
2007 GMT 610								
2004663-1	Standard	3.73	84459-5	84627	52436	708197	84489-3	84489-4
2008 GMT 610								
2001281-1	Standard	4.10	84461-5	84627	52436	708197	84489-3	84489-4
2001281-2	EatonPosi	4.10	84461-5	52373	-	-	84489-3	84489-4
2001889-1	Standard	3.73	84459-5	84627	52436	708197	84489-3	84489-4
2001889-2	EatonPosi	3.73	84459-5	52373	-	-	84489-3	84489-4
2001889-3	Standard	4.10	84461-5	84627	52436	708197	84489-3	84489-4
2001889-4	EatonPosi	4.10	84461-5	52373	-	-	84489-3	84489-4
2007837-1	Standard	3.73	84459-5	84627	52436	708197	84489-3	84489-4
2007837-2	EatonPosi	3.73	84459-5	52373	-	-	84489-3	84489-4
2007837-3	Standard	4.10	84461-5	84627	52436	708197	84489-3	84489-4
2007837-4	EatonPosi	4.10	84461-5	52373	-	-	84489-3	84489-4
2007838-1	Standard	4.10	84461-5	84627	52436	708197	84489-3	84489-4
2007838-2	EatonPosi	4.10	84461-5	52373	-	-	84489-3	84489-4
2007839-1	Standard	3.73	84459-5	84627	52436	708197	84489-3	84489-4
2007839-2	EatonPosi	3.73	84459-5	52373	-	-	84489-3	84489-4
2007839-3	Standard	4.10	84461-5	84627	52436	708197	84489-3	84489-4
2007839-4	EatonPosi	4.10	84461-5	52373	-	-	84489-3	84489-4
2007840-1	Standard	3.73	84459-5	84627	52436	708197	84489-3	84489-4
2009950-1	Standard	3.73	84459-5	84627	52436	708197	84489-3	84489-4
2009950-2	EatonPosi	3.73	84459-5	52373	-	-	84489-3	84489-4
2009950-3	Standard	4.10	84461-5	84627	52436	708197	84489-3	84489-4
2009950-4	EatonPosi	4.10	84461-5	52373	-	-	84489-3	84489-4
2009951-1	Standard	4.10	84461-5	84627	52436	708197	84489-3	84489-4
2009951-2	EatonPosi	4.10	84461-5	52373	-	-	84489-3	84489-4
2009952-1	Standard	3.73	84459-5	84627	52436	708197	84489-3	84489-4
2009952-2	EatonPosi	3.73	84459-5	52373	-	-	84489-3	84489-4
2009952-3	Standard	4.10	84461-5	84627	52436	708197	84489-3	84489-4
2009952-4	EatonPosi	4.10	84461-5	52373	-	-	84489-3	84489-4
2009953-1	Standard	3.73	84459-5	84627	52436	708197	84489-3	84489-4
2010 GMT 610								
2009132-1	Standard	3.23	2009085	2009051	2008857	708197	84489-3	84489-4
2009132-2	EatonPosi	3.23	2009085	2009482	-	-	84489-3	84489-4
2009133-1	Standard	3.08	2009080	2009051	2008857	708197	84489-3	84489-4
2009133-2	Standard	3.08	2009080	2009482	-	-	84489-3	84489-4

(7) See Ring Gear & Pinion Kits in XGI Catalog for ratio & tooth combinations.

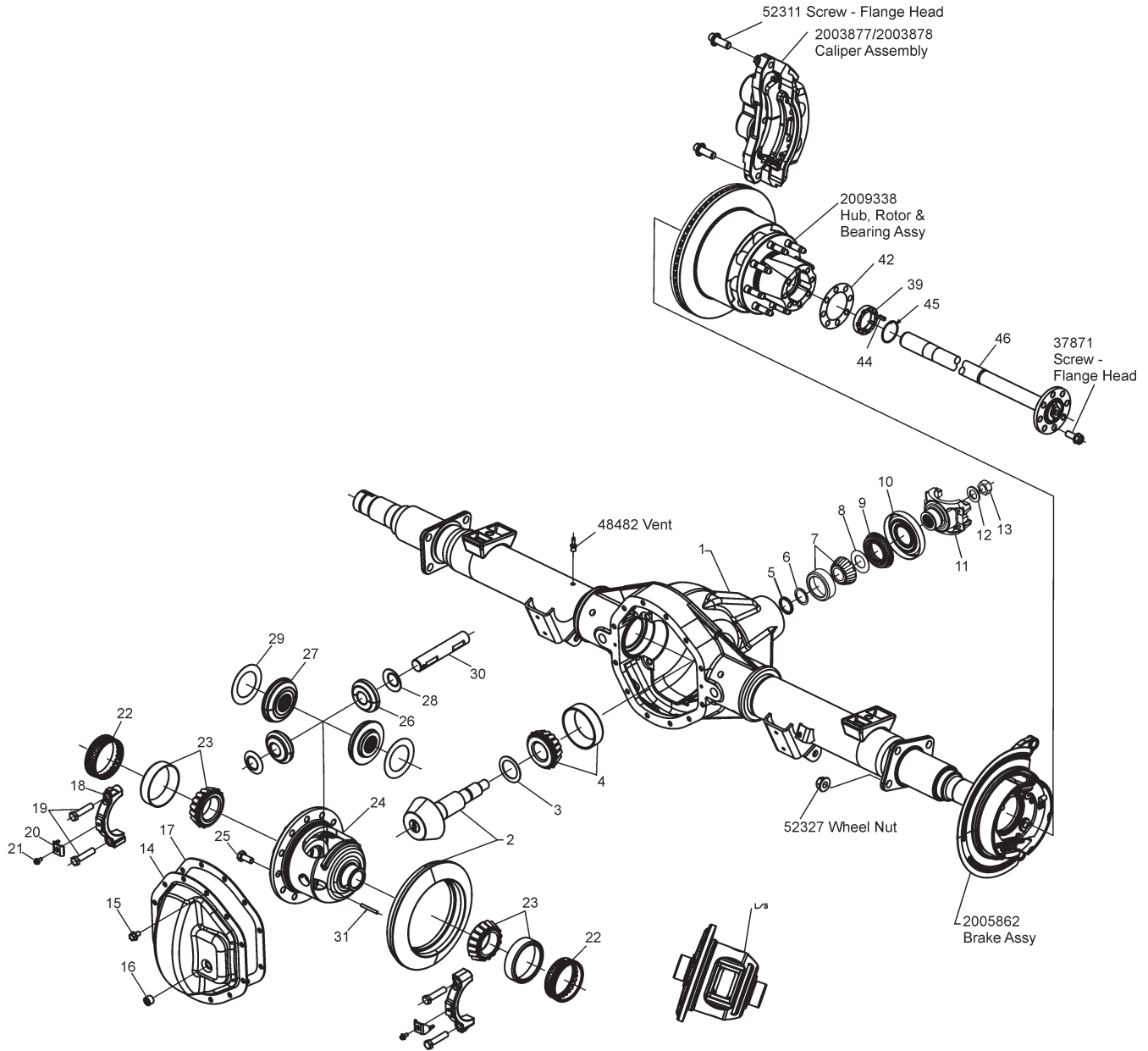
(8) See Differential Case Assy Kits in XGI Catalog for spline data & ratios.

(9) Serviced with complete differential case assembly kit only.

**Model 70/267
Rear Axles
for**

**DRW G-Van 30 - 70-3HD
GMT 610**

70/267 Rear Axle Exploded View



70/267 Rear Axle Parts Listing

ITEM NO.	PART NUMBER	DESCRIPTION	ITEM NO.	PART NUMBER	DESCRIPTION
1	-(3)	Housing - Axle Service	27	52636	Gear - Differential (std)
2	-(1)	Drive Pinion & Gear Assembly	28	52270	Thrustwasher - Diff Pinion (std)
3	52156- (5)	Shim - Adjusting	29	52271	Thrustwasher - Diff Gear (std)
4	706060X	Kit - Inner Pinion Bearing	30	52622	Shaft - Differential (std)
	73435X	KIT - Pinion Brg Adj Shim	31	47024	Lock - Diff Shaft (std)
5	46176	Spacer - Flat	32	-(3)	Nut/Bolt - Brake Mounting
6	34801- (5)	Shim - Adjusting (See Shim Kits)	33	39693	Seal - Hub
7	706045X	Outer Pinion Bearing Kit	34	-(3)	Inner Wheel Bearing Kit
8	42737	Thrustwasher - Bearing	35	-(3)	Outer Wheel Bearing Kit
9	50637	Seal - Pinion	36	-(3)	Hub - Wheel
10	52392	Deflector Seal	37	-(3)	Retainer - Wheel Bearing
11	-(2)	End Yoke Assembly (inc 10)	38	39521	Nut - Spindle
12	30275	Washer - Pinion Nut	39	-(3)	Lockwasher - Spindle Nut
13	2001153	Nut - Pinion	40	-(3)	Nut - Spindle
	708201	KIT - Carrier Cover (inc item 14, 15, 16)	41	36554	Gasket
14	52023	Cover - Carrier	42	-(3)	Cap - Hub
15	47508-1	Bolt - Carrier Cover (qty 10)	43	39522	Key - Square
16	2001762	Plug - Carrier Cover	44	39523	Snap Ring
17	34687	Gasket - Carrier Cover	45	-(1)	Shaft - Axle
18	-(3)	Cap - Differential Bearing	46	-(4)	Case - Differential (l/s)
19	48632-1	Bolt - Differential Bearing Cap	47	-(3)	Gear - Differential (l/s)
20	53324	Clip - Adjusting Ring	48	-(3)	Pinion - Differential (l/s)
21	52238-1	Screw - Flange Head	49	-(3)	Shaft - Differential (l/s)
22	52058	Adjuster - Diff Bearing	50	-(3)	Bolt - Differential Case (l/s)
23	706070X	Kit - Differential Bearing	51	-(3)	Ring - Differential Gear
24	-(4)	Case - Differential (std)		-(3)	KIT - Diff Plate & Disc (l/s) (inc item 52, 53, 54)
25	40638	Bolt - Drive Gear (qty 12)	52	-(4)	Plate - Differential
26	53194	Pinion - Differential (std)	53	-(4)	Disc - Differential (dished)
			54	-(4)	Plate - Differential

- (1) See "Bill of Material Table" on next page
(2) See "Variable Parts Table" within this section
(3) Contact Vehicle Manufacturer
(4) Not Sold Separately
(5) See shim table in the back of this catalog

70/267 Rear Axle Bill of Material Table

Axle			Axle Kits				Shaft & Joint Assy.	
Bill of Material	Diff. Type	Ratio	Ring Gear & Pinion Kit ⁽⁷⁾	Differential			Right Hand Shaft Assy.	Left Hand Shaft Assy.
				Case Assy. Kit ⁽⁸⁾	Case Kit	Inner Parts Kit		
2002 DRW G-Van 30 - 70-3HD								
606697-1	Standard	4.10	2015860	84692	52589	708181	52033-7	52033-8
606697-2	Ltd Slip	4.10	2015860	52277	EATON	EATON	52033-7	52033-8
606697-3	Standard	3.73	84431-5	84692	52589	708181	52033-7	52033-8
606697-4	Ltd Slip	3.73	84431-5	52277	EATON	EATON	52033-7	52033-8
2003-07 GMT 610								
606685-1	Standard	4.10	2015860	84692	52589	708181	52033-3	52033-4
606685-2	Ltd Slip	4.10	2015860	52277	EATON	EATON	52033-3	52033-4
606685-3	Standard	3.73	84431-5	84692	52589	708181	52033-3	52033-4
606685-4	Ltd Slip	3.73	84431-5	52277	EATON	EATON	52033-3	52033-4
606686-1	Standard	3.73	84431-5	84692	52589	708181	52033-3	52033-4
606686-2	Ltd Slip	3.73	84431-5	52277	EATON	EATON	52033-3	52033-4
606686-3	Standard	4.10	2015860	84692	52589	708181	52033-3	52033-4
606686-4	Ltd Slip	4.10	2015860	52277	EATON	EATON	52033-3	52033-4
2004-08 GMT 610								
2001079-1	Standard	3.73	84431-5	84692	52589	708181	52033-3	52033-4
2005 DRW G-Van 30 - 70-3HD								
2002583-1	Standard	4.10	2002670-5	84692	52589	708181	52033-7	52033-8
2008 DRW G-Van 30 - 70-3HD								
2008133-1	Standard	4.10	2015860	84692	52589	708181	52033-7	52033-8
2008133-2	Ltd Slip	4.10	2015860	52277	EATON	EATON	52033-7	52033-8
2009956-1	Standard	4.10	2015860	84692	52589	708181	52033-7	52033-7
2009957-1	Standard	4.10	2002670-5	84692	52589	708181	52033-7	52033-8
2008 GMT 610								
2007841-1	Standard	4.10	2015860	84692	52589	708181	52033-3	52033-4
2007841-2	Ltd Slip	4.10	2015860	52277	EATON	EATON	52033-3	52033-4
2007841-3	Standard	3.73	84431-5	84692	52589	708181	52033-3	52033-4
2007841-4	Ltd Slip	3.73	84431-5	52277	EATON	EATON	52033-3	52033-4
2007842-1	Standard	3.73	84431-5	84692	52589	708181	52033-3	52033-4
2007842-2	Ltd Slip	3.73	84431-5	52277	EATON	EATON	52033-3	52033-4
2007842-3	Standard	4.10	2015860	84692	52589	708181	52033-3	52033-4
2007842-4	Ltd Slip	4.10	2015860	52277	EATON	EATON	52033-3	52033-4
2008-09 GMT 610								
2009955-1	Standard	3.73	84431-5	84692	52589	708181	52033-3	52033-4
2009955-2	Ltd Slip	3.73	84431-5	52277	EATON	EATON	52033-3	52033-4
2009955-3	Standard	4.10	2015860	84692	52589	708181	52033-3	52033-4
2009955-4	Ltd Slip	4.10	2015860	52277	EATON	EATON	52033-3	52033-4
2009 DRW G-Van 30 - 70-3HD								
2010055-1	Standard	4.10	2015860	84692	52589	708181	52033-7	52033-8
2010055-2	Ltd Slip	4.10	2015860	52277	EATON	EATON	52033-7	52033-8
2010055-3	Standard	3.73	84431-5	84692	52589	708181	52033-7	52033-8
2010055-4	Ltd Slip	3.73	84431-5	52277	EATON	EATON	52033-7	52033-8
2009 GMT 610								
2009954-1	Standard	4.10	2015860	84692	52589	708181	52033-3	52033-4
2009954-2	Ltd Slip	4.10	2015860	52277	EATON	EATON	52033-3	52033-4
2009954-3	Standard	3.73	84431-5	84692	52589	708181	52033-3	52033-4
2009954-4	Ltd Slip	3.73	84431-5	52277	EATON	EATON	52033-3	52033-4

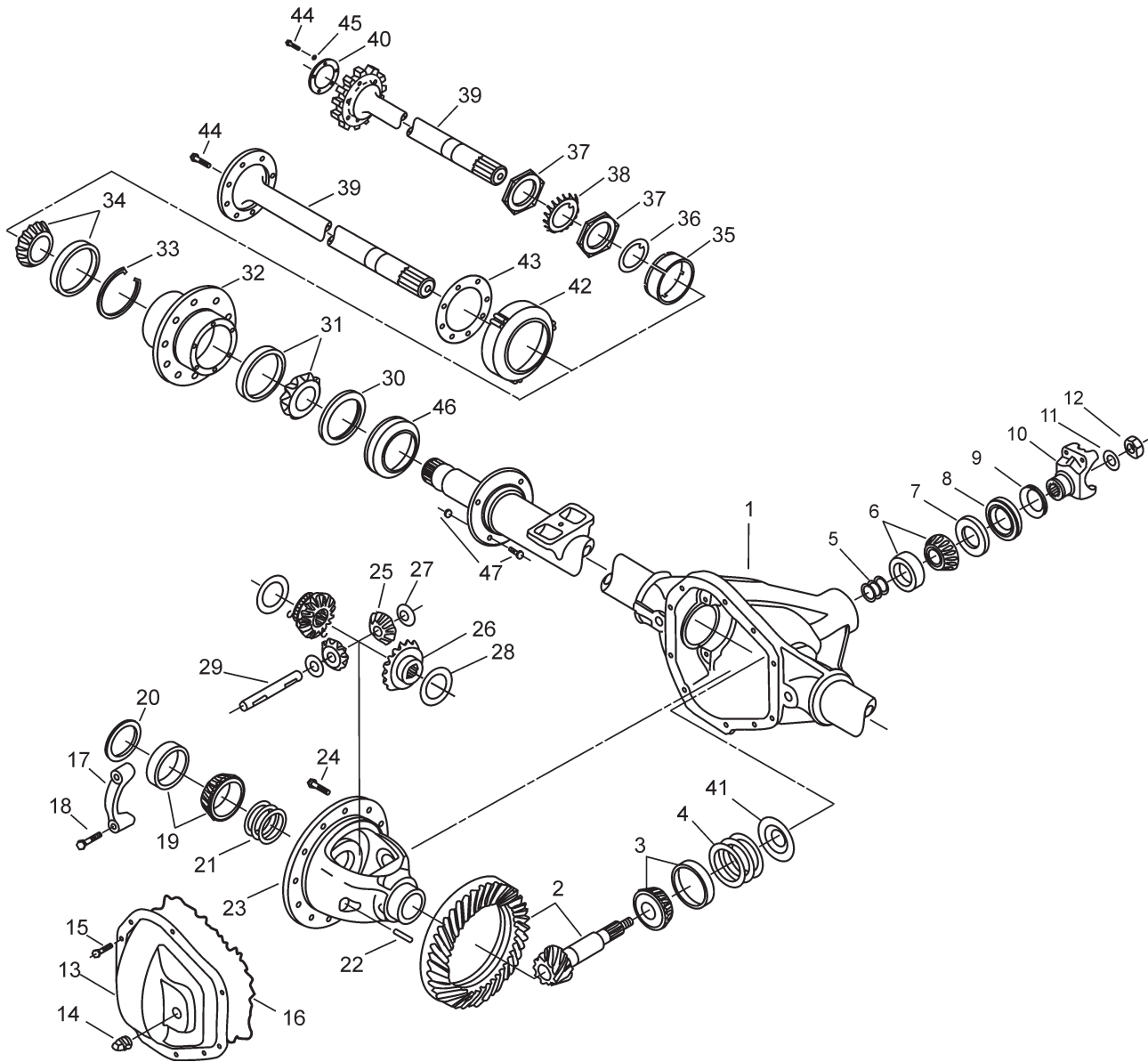
70/267 Rear Axle Variable Parts Listing

Kits & Parts - Use With All Applications							
Description & Item Number (Refer to "Exploded View" at the front of this section)		Bills of Material					
		2001079	2002583	2007841	2007842	2008133	
1	End Yoke Assembly (inc 10)	11	3-4-14701-1X	3-4-14711-1X	3-4-14711-1X	3-4-14701-1X	3-4-14711-1X
			2009954	2009955	2009956	2009957	2010055
1	End Yoke Assembly (inc 10)	11	3-4-14711-1X	3-4-14701-1X	3-4-14711-1X	3-4-14711-1X	3-4-14711-1X
			606685	606686	606697		
1	End Yoke Assembly (inc 10)	11	3-4-14711-1X	3-4-14701-1X	3-4-14711-1X		

NOTES

**Model Super 80 /286
Rear Axles for
GMT 455 & P-Truck**

80/286 Rear Axle Exploded View



80/286 Rear Axle Parts Listing

ITEM NO.	PART NUMBER	DESCRIPTION	ITEM NO.	PART NUMBER	DESCRIPTION
1	-(3)	Housing - Axle Service	22	47024	Lock - Differential Shaft
2	-(1)	Ring Gear & Pinion Assembly	23	-(4)	Case - Differential (std)
3	-(2)	Inner Pinion Bearing Kit	24	42433	Bolt - Drive Gear (qty 12)
	-(2)	KIT - Pinion Brg Adj Shim (inc 4, 5, 11, 12)	25	44845	Pinion - Differential (std)
		KIT - Diff & Pinion Shim (inc 4, 5, 11, 12, 21)	26	44844	Gear - Differential (std)
4	-(4)	Inner Pinion Adj Shims (See Shim Kits)	27	35082	Thrustwasher - Diff Pinion (std)
5	-(4)	Outer Pinion Adj Shims (See Shim Kits)	28	34729	Thrustwasher - Diff Gear (std)
6	707064X	KIT - Outer Pinion Bearing	29	46640	Shaft - Differential (std)
7	42430	Thrustwasher - Bearing	30	-(3)	Seal - Oil (Inner Wheel)
8	-(2)	Seal - Pinion	31	-(3)	Inner Wheel Bearing Cone
9	-(2)	Slinger - End Yoke		-(3)	Inner Wheel Bearing Cup
10	-(2)	End Yoke Assembly (inc 9) Bearing strap kit used w/end yoke	32	-(3)	Hub & Rotor Assembly
11	37104	Washer - Pinion Nut	33	-(3)	Ring - Retaining
12	37082	Nut - Pinion	34	-(3)	Outer Wheel Bearing Cone
	-(2)	KIT - Carrier Cover (inc 13, 14, 15)		-(3)	Outer Wheel Bearing Cup
13	-(2)	Cover - Carrier	35	-(3)	Retainer - Wheel Bearing Outer
14	36472	Plug - Carrier Cover	36	-(3)	Retainer - Bearing Adj Ring
15	-(2)	Bolt - Carrier Cover(qty 10)	37	-(3)	Nut - Spindle
16	38615	RTV Silicone Sealant	38	-(3)	Lock - Wheel Brg Spindle Nut
17	-(3)	Cap - Differential Bearing	39	-(3)	Shaft - Axle
18	48632-1	Bolt - Differential Bearing Cap	40	-(3)	Hub Cap(apply silicone sealant between hub cap & axle shaft)
19	706070X	Differential Bearing Kit	41	-(2)	Baffle - Pinion Bearing
20	701133X	Diff Outboard Spacer Kit	42	-(3)	Retainer - Wheel Brg Outer
21	707364X	KIT - Diff Brg Adj Shim	43	-(2)	O-Ring/Gasket
			44	-(3)	Bolt - Axle Shaft
			45	-(3)	Lockwasher - Axle Shaft
			46	-(3)	Deflector - Grease
			47	-(3)	Nut & Bolt - Brake Mounting

- (1) See "Bill of Material Table" on next page
(2) See "Variable Parts Table" within this section
(3) Contact Vehicle Manufacturer
(4) Not Sold Separately
(5) See shim table in the back of this catalog

80/286 Rear Axle Bill of Material Table

Axle			Axle Kits				Shaft & Joint Assy.	
Bill of Material	Diff. Type	Ratio	Ring Gear & Pinion Kit ⁽⁷⁾	Differential			Right Hand Shaft Assy.	Left Hand Shaft Assy.
				Case Assy. Kit ⁽⁸⁾	Case Kit	Inner Parts Kit		
1999 1/2 GMT 455 - 80								
606211-1	Standard	4.63	707361-3X	707362X	707363X	707280X	44264-1	44264-1
606211-2	Standard	5.13	707361-4X	707362X	707363X	707280X	44264-1	44264-1
606213-1	Standard	4.63	707361-3X	707362X	707363X	707280X	44264-1	44264-1
606213-2	Standard	5.13	707361-4X	707362X	707363X	707280X	44264-1	44264-1
606214-1	Standard	4.63	707361-3X	707362X	707363X	707280X	44264-2	44264-2
606214-2	Standard	5.13	707361-4X	707362X	707363X	707280X	44264-2	44264-2
1999 1/2 GMT 455 - 80 Wide Track								
606212-1	Standard	4.63	707361-3X	707362X	707363X	707280X	44264-2	44264-2
606212-2	Standard	5.13	707361-4X	707362X	707363X	707280X	44264-2	44264-2
1999 1/2-2001 P-Truck - 80								
606201-1	Standard	5.13	707361-4X	707362X	707363X	707280X	47037-1	47037-1
606202-1	Standard	5.13	707361-4X	707362X	707363X	707280X	47037-1	47037-1
606202-2	Standard	4.63	707361-3X	707362X	707363X	707280X	47037-1	47037-1
606203-1	Standard	4.63	707361-3X	707362X	707363X	707280X	47037-1	47037-1
1999 1/2-2001 P-Truck - 80 Wide Track								
606204-1	Standard	4.63	707361-3X	707362X	707363X	707280X	47037-2	47037-2
2000-07 GMT 560								
606200-12	Standard	4.30	80651-5	707362X	707363X	707280X	50291-1	50291-1
2000-07 P-Truck - 80								
606200-1	Standard	5.13	84868-5	707362X	707363X	707280X	50291-1	50291-1
606200-3	Standard	4.63	75619-5X	707362X	707363X	707280X	50291-1	50291-1
606200-7	Ltd Slip	4.63	75619-5X	-	708097	-	50291-1	50291-1
606200-8	Ltd Slip	5.13	84868-5	-	708097	-	50291-1	50291-1
606200-10	Standard	4.30	80651-5	707362X	707363X	702280X	50291-1	50291-1
606200-11	Ltd Slip	4.30	80651-5	-	708097	-	50291-1	50291-1
606200-13	Ltd Slip	4.30	80651-5	-	708097	-	50291-1	50291-1
606200-14	Standard	4.88	76138-5X	707362X	707363X	707280X	50291-1	50291-1
606200-15	Ltd Slip	4.88	76138-5X	-	708097	-	50291-1	50291-1
606200-16	Standard	4.88	76138-5X	707362X	707363X	707280X	50291-1	50291-1
606200-17	Ltd Slip	4.88	76138-5X	-	708097	-	50291-1	50291-1
606200-19	Standard	4.63	75619-5X	707362X	707363X	707280X	50291-1	50291-1
606200-20	Ltd Slip	4.63	75619-5X	-	708097	-	50291-1	50291-1
606200-21	Ltd Slip	5.13	84868-5	-	708097	-	50291-1	50291-1
606200-22	Standard	4.30	80651-5	707362X	707363X	707280X	50291-1	50291-1
606200-23	Ltd Slip	4.30	80651-5	-	708097	-	50291-1	50291-1
606200-24	Standard	4.30	80651-5	707362X	707363X	707280X	50291-1	50291-1
606200-25	Ltd Slip	4.30	80651-5	-	708097	-	50291-1	50291-1
606200-26	Standard	4.88	76138-5X	707362X	707363X	707280X	50291-1	50291-1
606200-27	Ltd Slip	4.88	76138-5X	-	708097	-	50291-1	50291-1
606200-28	Standard	4.88	76138-5X	707362X	707363X	707280X	50291-1	50291-1
606200-29	Ltd Slip	4.88	76138-5X	-	708097	-	50291-1	50291-1
606200-30	Standard	5.13	84868-5	707362X	707363X	707280X	50291-1	50291-1
606200-31	Ltd Slip	5.13	84868-5	-	708097	-	50291-1	50291-1

(7) See Ring Gear & Pinion Kits in XGI Catalog for ratio & tooth combinations.
 (8) See Differential Case Assy Kits in XGI Catalog for spline data & ratios.

80/286 Rear Axle Variable Parts Listing

Kits & Parts - Use With All Applications							
Description & Item Number (Refer to "Exploded View" at the front of this section)			Bills of Material				
			606200	606201	606202	606203	606204
1	Inner Pinion Bearing Kit	3	707447X	707065X	707065X	707065X	707065X
2	KIT - Pinion Brg Adj Shim	-	707481X	707066X	707066X	707066X	707066X
3	Seal - Pinion	8	53542	46411	46411	46411	46411
4	Slinger - End Yoke	9	84406	231872	231872	231872	231872
5	End Yoke Assembly (inc 9)	10	84829	3-4-11081-1X	3-4-11081-1X	3-4-11081-1X	3-4-11081-1X
6	KIT - Carrier Cover	-	708151	707070X	707070X	707070X	707070X
7	Cover - Carrier	13	47717-1	42434	42434	42434	42434
8	Bolt - Carrier Cover(qty 10)	15	47508-1	34822	34822	34822	34822
9	Baffle - Pinion Bearing	41	50453	44192	44192	44192	44192
10	O-Ring/Gasket/Sealant	43	48315	47045	47045	47045	47045
			606211	606212	606213	606214	
1	Inner Pinion Bearing Kit	3	707065X	707065X	707065X	707065X	
2	KIT - Pinion Brg Adj Shim	-	707066X	707066X	707066X	707066X	
3	Seal - Pinion	8	46411	46411	46411	46411	
4	Slinger - End Yoke	9	231872	231872	231872	231872	
5	End Yoke Assembly (inc 9)	10	3-4-11081-1X	3-4-11081-1X	3-4-11081-1X	3-4-11081-1X	
6	KIT - Carrier Cover	-	707070X	707070X	707070X	707070X	
7	Cover - Carrier	13	42434	42434	42434	42434	
8	Bolt - Carrier Cover(qty 10)	15	34822	34822	34822	34822	
9	Baffle - Pinion Bearing	41	44192	44192	44192	44192	
10	O-Ring/Gasket/Sealant	43	47045	47045	47045	47045	

NOTES

Ford 28IFS Front Optional Camber/Caster Bushing Chart (round)

CASTER			CAMBER			Part Number	Color
Amount of Caster Correction	Right Side	Left Side	Amount of Camber Correction	Right Side	Left Side		
0° 00'	none	none	0 00'	none	none	40218	none
0° 00'	none	none	1 00'	positive (1) negative (2)	positive (1) negative (2)	42981	
1° 00'	positive	do not use	1 00'	positive (1) negative (2)	do not use	43182	

(1) Arrow out

(2) Arrow in

Ford 28IFS and 35IFS Front Optional Camber/Caster Bushing Chart (hexagonal)

Amount of Caster Correction	Right Side	Left Side	Amount of Camber Correction	Part Number	Color
0° 00'	none	none	0 00'	43918	Black
0° 00'	none	none	0 30'	43592	Green
0° 00'	none	none	1 00'	43919	Red
0° 00'	none	none	1 30'	43920	Blue

No Arrows

Ford 44IFS and 50IFS Front Optional Camber/Caster Bushing Chart

CASTER			CAMBER			Part Number	Color
Amount of Caster Correction	Right Side	Left Side	Amount of Camber Correction	Right Side	Left Side		
0° 00'	none	none	0 30'	none	none	42229	none
0° 00'	none	none	1 00'	none	none	43149	Red
0° 00'	none	none	1 30'	none	none	43579	Blue
0° 30'			0 54'	positive (1) negative (2)	positive (1) negative (2)	46580	Black
0° 30'			1 24'	positive (1) negative (2)	positive (1) negative (2)	46579	Yellow

(1) Arrow out

(2) Arrow in

Ford 50 and 60 Front Optional Camber/Caster Bushing Chart

Amount of Caster Correction	Right Side	Left Side	Amount of Camber Correction	Part Number	Color
0° 00'	none	none	0 00'	44507	Black
0° 30'	positive	negative	0 00'	44508	Red
0° 30'	negative	positive	0 00'	44509	Blue
0° 45'	positive	none	0 00'	44510	Green
0° 45'	negative	positive	0 00'	44511	Yellow
0° 00'	positive	negative	0 30'	50421	Pink
0° 30'	negative	positive	0 30'	50422	Orange

No Arrows

Notes: The camber can be used for both positive and nevative applications, unless otherwise noted. For negative camber, point the arrow on the camber adjuster inboard. OPT is for optional bushing.

Bearing Adjustment Shims

Part Number	Thickness	
	MM	Inch
41214-1 ⁽¹⁾	0.76	.030
41214-2 ⁽¹⁾	0.079	.031
41214-3 ⁽¹⁾	0.081	.032
41214-4 ⁽¹⁾	0.084	.033
41214-5 ⁽¹⁾	0.086	.034
41214-6 ⁽²⁾⁽³⁾	0.89	.035
41214-7 ⁽²⁾⁽³⁾⁽⁴⁾	0.91	.036
41214-8 ⁽²⁾⁽³⁾	0.94	.037
41214-9 ⁽²⁾⁽³⁾⁽⁴⁾	0.97	.038
41214-10 ⁽²⁾⁽³⁾	0.99	.039
41214-11 ⁽³⁾⁽⁴⁾⁽⁵⁾⁽⁶⁾	1.02	.040
41214-12 ⁽³⁾⁽⁵⁾	1.04	.041
41214-13 ⁽³⁾⁽⁴⁾⁽⁵⁾⁽⁶⁾	1.07	.042
41214-14 ⁽³⁾⁽⁵⁾	1.09	.043
41214-15 ⁽³⁾⁽⁴⁾⁽⁵⁾⁽⁶⁾	1.12	.044
41214-16 ⁽³⁾⁽⁷⁾	1.14	.045
41214-17 ⁽³⁾⁽⁴⁾⁽⁶⁾⁽⁷⁾	1.17	.046
41214-18 ⁽³⁾⁽⁷⁾	1.19	.047
41214-19 ⁽³⁾⁽⁴⁾⁽⁶⁾⁽⁷⁾	1.22	.048
41214-20 ⁽³⁾⁽⁷⁾	1.24	.049
41214-21 ⁽³⁾⁽⁴⁾⁽⁶⁾⁽⁸⁾	1.27	.050
41214-22 ⁽³⁾⁽⁸⁾	1.30	.051
41214-23 ⁽³⁾⁽⁴⁾⁽⁶⁾⁽⁸⁾	1.32	.052
41214-24 ⁽³⁾⁽⁸⁾	1.35	.053
41214-25 ⁽³⁾⁽⁴⁾⁽⁶⁾⁽⁸⁾	1.37	.054
41214-26	1.40	.055
41214-27 ⁽⁴⁾	1.42	.056

- ⁽¹⁾ Included in 72922-1X
- ⁽²⁾ Included in 72922-2X
- ⁽³⁾ Included in 702010
- ⁽⁴⁾ Included in 701140-1X
- ⁽⁵⁾ Included in 72922-3X
- ⁽⁶⁾ Included in 701140X
- ⁽⁷⁾ Included in 72922-4X
- ⁽⁸⁾ Included in 72922-5X

Part Number	Thickness	
	MM	Inch
50161-183 ⁽⁹⁾	1.83	.072
50161-180 ⁽⁹⁾	1.80	.071
50161-178 ⁽⁹⁾	1.78	.070
50161-175 ⁽⁹⁾	1.75	.069
50161-173 ⁽⁹⁾	1.73	.068
50161-170 ⁽¹⁰⁾	1.70	.067
50161-168 ⁽¹⁰⁾	1.68	.066
50161-165 ⁽¹⁰⁾	1.65	.065
50161-163 ⁽¹⁰⁾	1.63	.064
50161-160 ⁽¹⁰⁾	1.60	.063
50161-157 ⁽¹¹⁾	1.57	.062
50161-155 ⁽¹¹⁾	1.55	.061
50161-152 ⁽¹¹⁾	1.52	.060
50161-150 ⁽¹¹⁾	1.50	.059
50161-147 ⁽¹¹⁾	1.47	.058
50161-145 ⁽¹²⁾	1.45	.057
50161-142 ⁽¹²⁾	1.42	.056
50161-140 ⁽¹²⁾	1.40	.055
50161-137 ⁽¹²⁾	1.37	.054
50161-135 ⁽¹²⁾	1.35	.053
50161-132 ⁽¹³⁾	1.32	.052
50161-130 ⁽¹³⁾	1.30	.051
50161-127 ⁽¹³⁾	1.27	.050
50161-124 ⁽¹³⁾	1.24	.049
50161-122 ⁽¹³⁾	1.22	.048

- ⁽⁹⁾ Included in 2001369-5
- ⁽¹⁰⁾ Included in 2001369-4
- ⁽¹¹⁾ Included in 2001369-3
- ⁽¹²⁾ Included in 2001369-2
- ⁽¹³⁾ Included in 2001369-1

NOTES