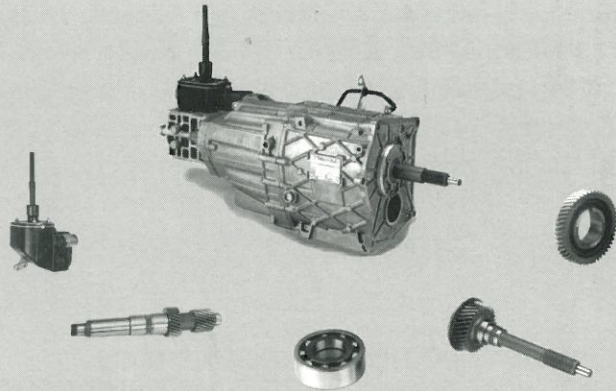




ZF Six-speed S6-40 Transmission and



Spare Parts Catalog





TRANSMISSION LIMITED WARRANTY

TERMS AND CONDITIONS

ZF manual transmissions are remanufactured at our modern 160,000 square foot facility just outside of Chicago. At this state-of-the-art facility, we use only ZF authorized parts to remanufacture the transmissions and include the latest remanufacture updates. All transmissions undergo the same stringent inspections as our original equipment products using only ZF factory authorized test equipment.

If a problem should occur with operation of your ZF transmission, we offer a **limited warranty**.

- 12 month/12,000 miles limited warranty
- Limited to parts replacement or repair if found to be defective in ZF material or workmanship
- Does not cover removal, reinstallation or any other incidental costs to repair the vehicle
- The limited warranty does not cover owner abuse, misinstallation of unit, incorrect, low, or no oil, and misapplication

S6-40 6-Speed Transmission and Spare Parts Catalog

Table of Content

S6-40 Transmission

| | |
|---------------------------------------|---|
| Engine Model L 98 / LT 1 / LT 4 | 2 |
| Engine Model LT 5 (ZR1) | 3 |

S6-40 Spare Parts

| | |
|-------------------------------|----|
| Gearbox Housing Group | 4 |
| Input Shaft Group | 5 |
| Countershaft Group | 6 |
| Main Shaft Group | 7 |
| Reverse Idler Group | 8 |
| Gear Shift System Group | 9 |
| Gear Shift Lever Group | 11 |
| Kits | 13 |

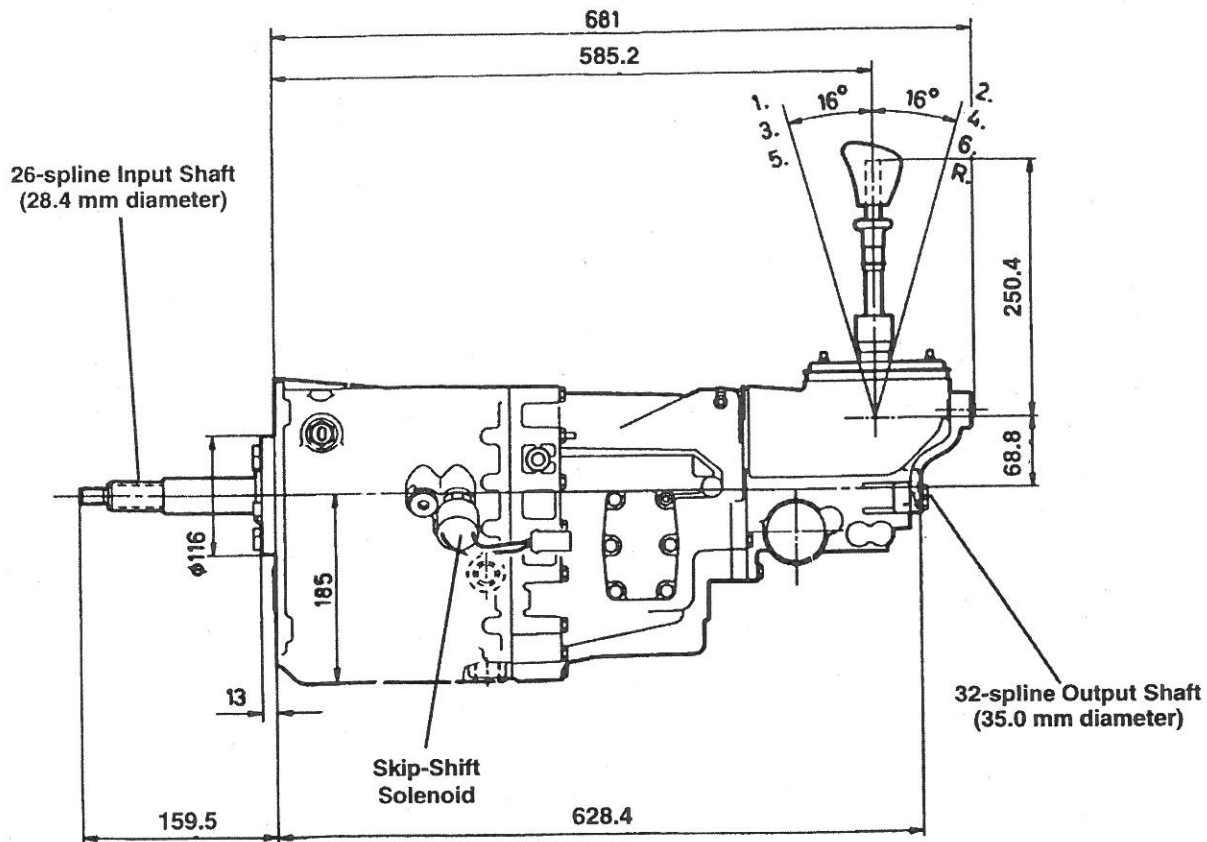
| | |
|---|----|
| Cross Reference ZF Part # - GM Part # | 15 |
|---|----|

| | |
|-------------|----|
| Notes | 16 |
|-------------|----|

S6-40 6-Speed Transmission and Spare Parts Catalog

S6-40 Transmission - Engine Model L 98 / LT 1 / LT 4

| ZF Reman # | ZF Part # | Model Year | Engine | Shifter Style | Torque (Nm) |
|----------------|--------------|-------------|-----------|---------------|-------------|
| 1052 000 032ZW | 1052 000 032 | 1989 | L 98 | Lift Ring | 610 Nm |
| 1052 000 036ZW | 1052 000 036 | 1990 - 1991 | L 98 | Lift Ring | 610 Nm |
| 1052 000 044ZW | 1052 000 044 | 1992 - 1993 | LT 1 | Lift Ring | 610 Nm |
| 1052 000 046ZW | 1052 000 046 | 1993 | LT 1 | Lift Ring | 540 Nm |
| 1052 000 084ZW | 1052 000 084 | 1994 | LT 1 | Lift Ring | 540 Nm |
| 1052 000 089ZW | 1052 000 089 | 1995 - 1996 | LT 1/LT 4 | Crash Thru | 540 Nm |



(measurements in mm)

Gear Ratios

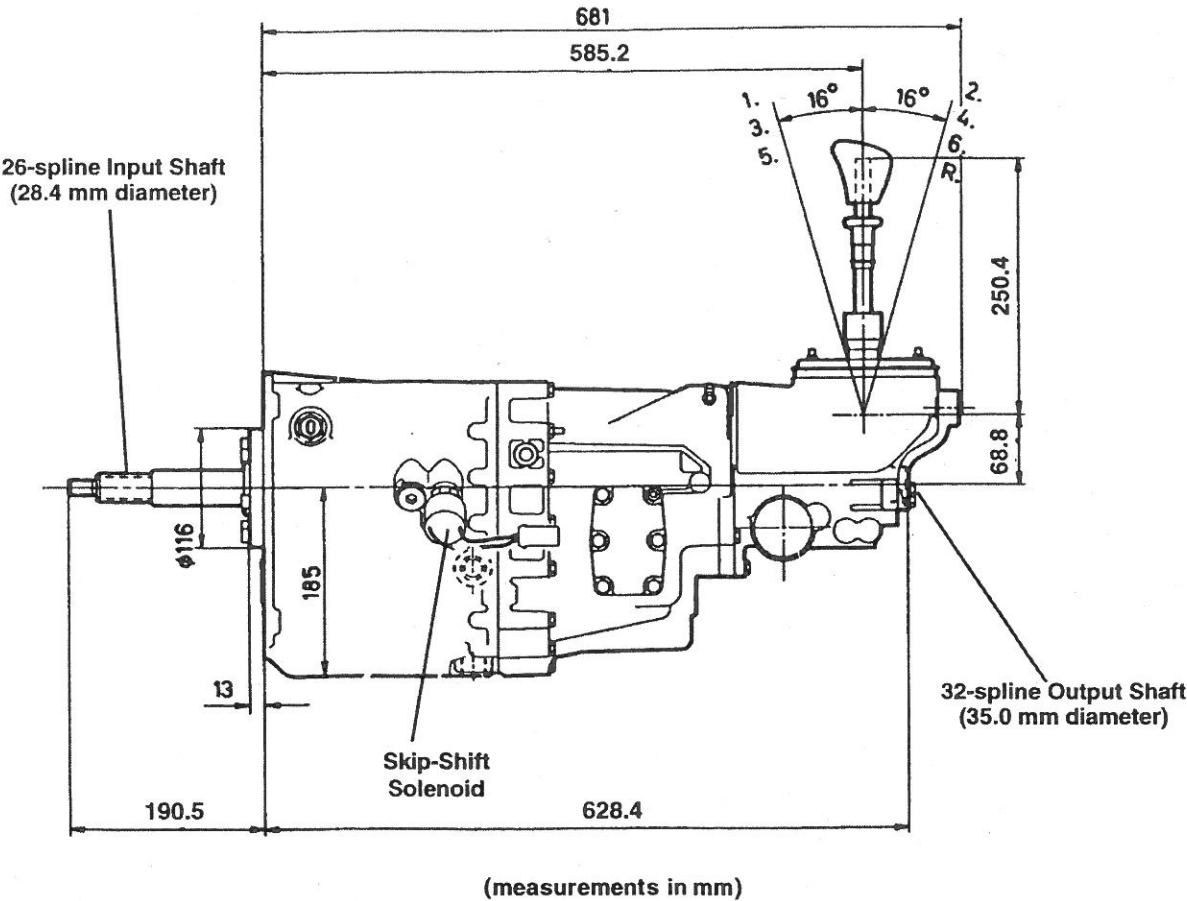
| Input Torque (ft./lbs.) | 1 st Gear | 2 nd Gear | 3 rd Gear | 4 th Gear | 5 th Gear | 6 th Gear | Rev Gear | Mass (lbs.) | Oil Capacity (L) |
|-------------------------|----------------------|----------------------|----------------------|----------------------|----------------------|----------------------|----------|-------------|------------------|
| 400 | 2.68 | 1.80 | 1.29 | 1.00 | 0.75 | 0.50 | 2.50 | 160 | 2.2 |
| 450 | 2.68 | 1.80 | 1.29 | 1.00 | 0.75 | 0.50 | 2.50 | 160 | 2.2 |

All units must use ZF recommended GM Oil (GM Part # 1052931) or Castrol Formula RS 10W60.

S6-40 6-Speed Transmission and Spare Parts Catalog

S6-40 Transmission - Engine Model LT 5 (ZR1)

| ZF Reman # | ZF Part # | Model Year | Engine | Shifter Style | Torque (Nm) |
|----------------|--------------|-------------|--------|---------------|-------------|
| 1052 000 031ZW | 1052 000 031 | 1989 – 1990 | LT 5 | Lift Ring | 610 Nm |
| 1052 000 035ZW | 1052 000 035 | 1991 | LT 5 | Lift Ring | 610 Nm |
| 1052 000 045ZW | 1052 000 045 | 1992 – 1993 | LT 5 | Lift Ring | 610 Nm |
| 1052 000 047ZW | 1052 000 047 | 1993 | LT 5 | Lift Ring | 540 Nm |
| 1052 000 081ZW | 1052 000 081 | 1994 | LT 5 | Lift Ring | 540 Nm |
| 1052 000 087ZW | 1052 000 087 | 1995 – 1996 | LT 5 | Crash Thru | 540 Nm |



Gear Ratios

| Input Torque (ft./lbs.) | 1 st Gear | 2 nd Gear | 3 rd Gear | 4 th Gear | 5 th Gear | 6 th Gear | Rev Gear | Mass (lbs.) | Oil Capacity (L) |
|-------------------------|----------------------|----------------------|----------------------|----------------------|----------------------|----------------------|----------|-------------|------------------|
| 400 | 2.68 | 1.80 | 1.29 | 1.00 | 0.75 | 0.50 | 2.50 | 160 | 2.2 |
| 450 | 2.68 | 1.80 | 1.29 | 1.00 | 0.75 | 0.50 | 2.50 | 160 | 2.2 |

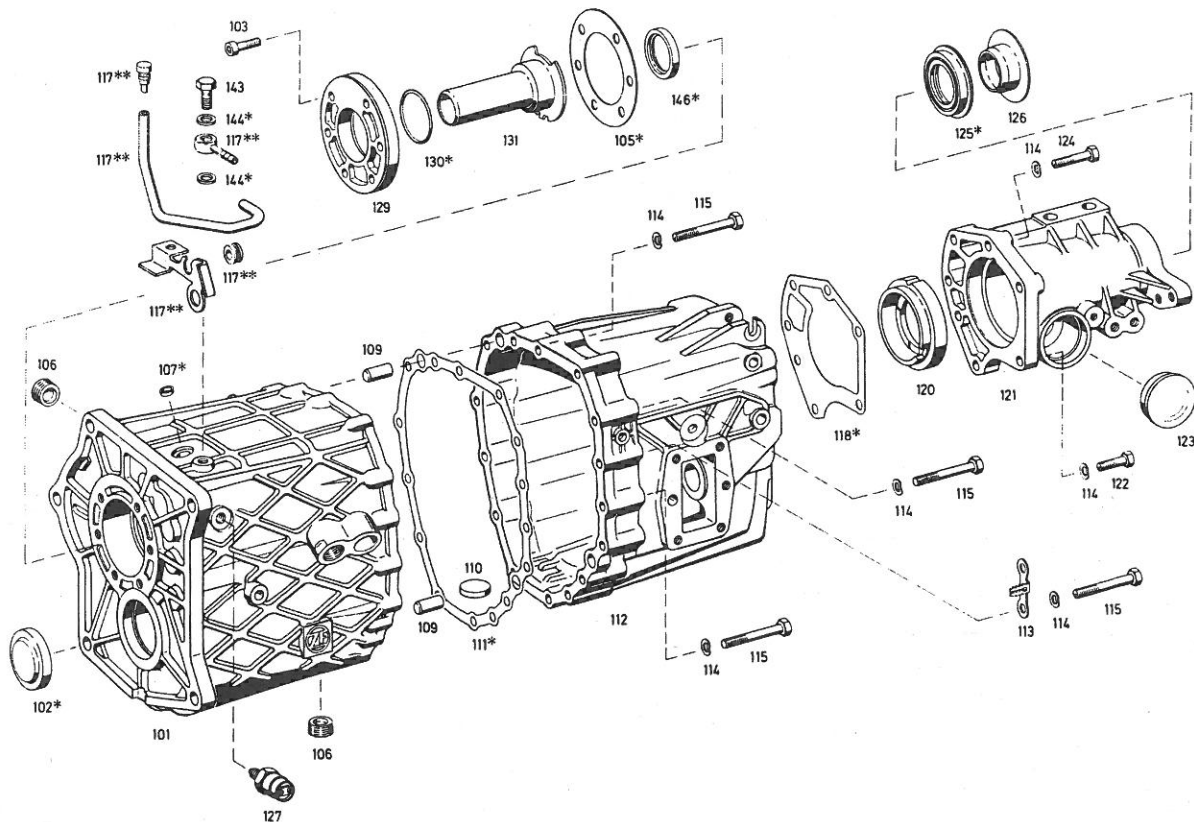
All units must use ZF recommended GM Oil (GM Part # 1052931) or Castrol Formula RS 10W60.

S6-40 6-Speed Transmission and Spare Parts Catalog

S6-40 Spare Parts - Gearbox Housing Group

| Pos # | ZF Part # | Description | Unit Specification (1052 000 ____) |
|-------|--------------|-----------------------|------------------------------------|
| 101 | 1052 301 133 | Main Housing | All |
| 103 | 0636 104 141 | Cap Screw M8x30 | All |
| 106 | 1052 301 069 | Screw Plug M24x1.5 | All |
| 109 | 0631 306 154 | Cylindrical Pin M6x25 | All |
| 110 | 1048 301 010 | Magnet | All |
| 112 | 1052 301 079 | Rear Housing | All |
| 113 | 1052 301 108 | Fixing Plate | All |
| 114 | 0630 302 111 | Spring Washer | All |
| 115 | 0636 010 631 | Hexagon Screw M8x65 | All |
| 117** | 1052 201 038 | Bleeder Set | All |
| 120 | 1052 301 071 | Support Ring | All |
| 121 | 1052 201 036 | Speedo Cover | All |
| 122 | 0636 015 435 | Hexagon Screw M8x30 | All |
| 123 | 1052 301 019 | Protection Cap | All |
| 124 | 0636 015 434 | Hexagon Screw M8x40 | All |
| 126 | 1052 301 068 | Protection Cap | All |
| 127 | 0501 310 946 | Reverse Light Switch | All |
| 129 | 1052 301 070 | Connection Plate | All |
| 131 | 1052 301 114 | Guide Tube | 084/089 |
| 131 | 1052 301 115 | Guide Tube | 081/087 |
| 131 | 1052 301 130 | Guide Tube | 031/035/045/047 |
| 131 | 1052 301 132 | Guide Tube | 032/036/044/046 |
| 143 | 0637 835 802 | Union Screw | All |

** Only available as complete set

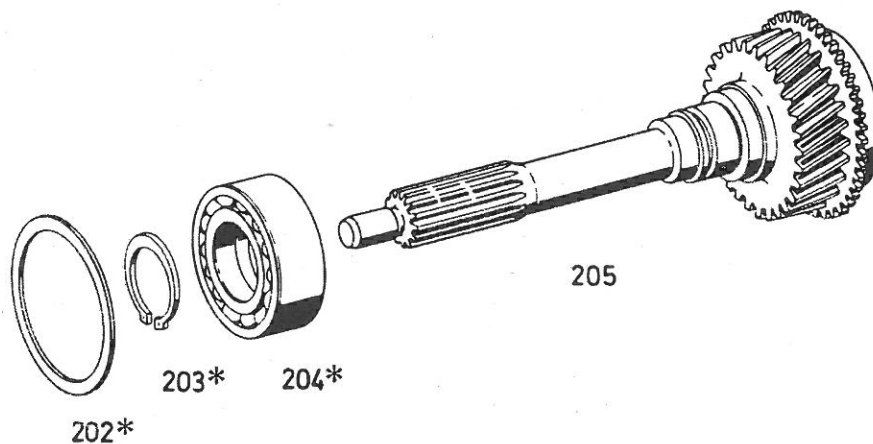


* Only available in Kits

S6-40 6-Speed Transmission and Spare Parts Catalog

S6-40 Spare Parts – Input Shaft Group

| Pos # | ZF Part # | Description | Unit Specification (1052 000 ____) |
|-------|--------------|-------------|------------------------------------|
| 205 | 1052 202 015 | Input Shaft | 031/035/045/047/081/087 |
| 205 | 1052 202 016 | Input Shaft | 032/036/044/046/084/089 |

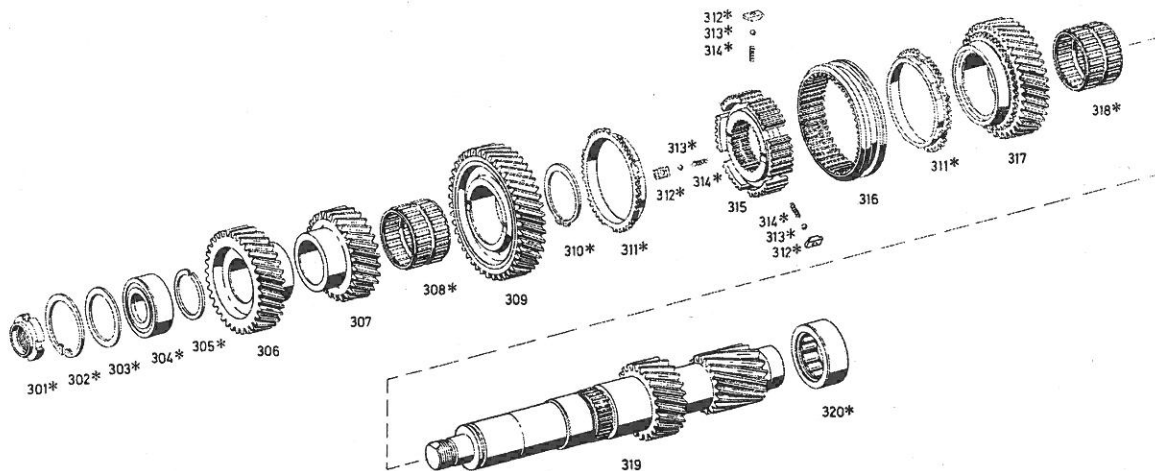


* Only available in Kits

S6-40 6-Speed Transmission and Spare Parts Catalog

S6-40 Spare Parts – Countershaft Group

| Pos # | ZF Part # | Description | Unit Specification (1052 000 __) |
|-------|--------------|------------------------------|----------------------------------|
| 306 | 1052 303 015 | 4th Counter Gear | All |
| 307 | 1052 303 016 | 3rd Counter Gear (610Nm) | 031/032/035/036/044/045 |
| 307 | 1052 303 066 | 3rd Counter Gear | 046/047/081/084/087/089 |
| 309 | 1052 203 008 | 6th Speed Gear (610Nm) | 031/032/035/036/044/045 |
| 309 | 1052 203 019 | 6th Speed Gear | 046/047/081/084/087/089 |
| 315 | 1052 303 036 | 5/6 Synchronizer Body | All |
| 316 | 1052 303 037 | 5/6 Sliding Sleeve | All |
| 317 | 1052 203 007 | 5th Speed Gear (610Nm) | 031/032/035/036/044/045 |
| 317 | 1052 203 018 | 5th Speed Gear | 046/047/081/084/087/089 |
| 319 | 1052 303 022 | 1/2/Rev Countershaft (610Nm) | 031/032/035/036/044/045 |
| 319 | 1052 303 056 | 1/2/Rev Countershaft | 046/047/081/084/087/089 |

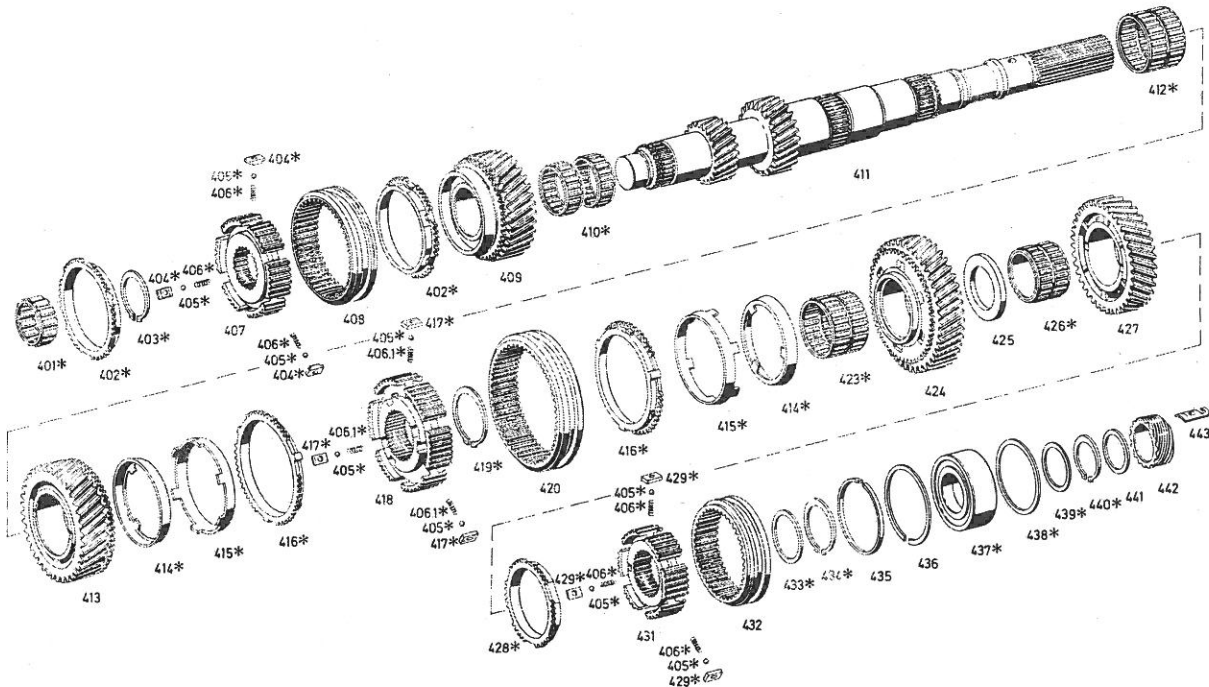


* Only available in Kits

S6-40 6-Speed Transmission and Spare Parts Catalog

S6-40 Spare Parts – Main Shaft Group

| Pos # | ZF Part # | Description | Unit Specification (1052 000 ____) |
|-------|--------------|----------------------------------|------------------------------------|
| 407 | 1052 304 120 | 3/4 Synchronizer Body | All |
| 408 | 1052 304 153 | 3/4 Sliding Sleeve | All |
| 409 | 1052 204 026 | 3rd Speed Gear (610Nm) | 031/032/035/036/044/045 |
| 409 | 1052 204 043 | 3rd Speed Gear | 046/047/081/084/087/089 |
| 411 | 1052 304 088 | Main Shaft (610Nm) | 031/032/035/036/044/045 |
| 411 | 1052 304 165 | Main Shaft | 046/047/081/084/087/089 |
| 413 | 1052 204 031 | 2nd Speed Gear (610Nm) | 031/032/035/036/044/045 |
| 413 | 1052 204 044 | 2nd Speed Gear | 046/047/081/084/087/089 |
| 418 | 1052 304 143 | 1/2 Synchronizer Body | All |
| 420 | 1052 304 152 | 1/2 Sliding Sleeve | All |
| 424 | 1052 204 040 | 1st Speed Gear | 046/047/081/084/087/089 |
| 424 | 1052 204 045 | 1st Speed Gear (610Nm) | 031/032/035/036/044/045 |
| 425 | 0730 107 016 | Thrust Washer 46.03x73x6 | All |
| 427 | 1052 204 025 | Gear, Main Shaft Reverse (610Nm) | 031/032/035/036/044/045 |
| 427 | 1052 204 041 | Gear, Main Shaft Reverse | 046/047/081/084/087/089 |
| 431 | 1052 304 127 | Rev Synchronizer Body | All |
| 432 | 1052 304 151 | Rev Sliding Sleeve | All |
| 435 | 1052 304 130 | Ring | All |
| 436 | 1052 304 149 | Snap Ring | All |
| 441 | 0730 104 435 | Washer 35.1x44.9x2.55 | All |
| 442 | 0501 310 389 | Speedo Gear | All |
| 443 | 0501 310 390 | Tab Washer | All |

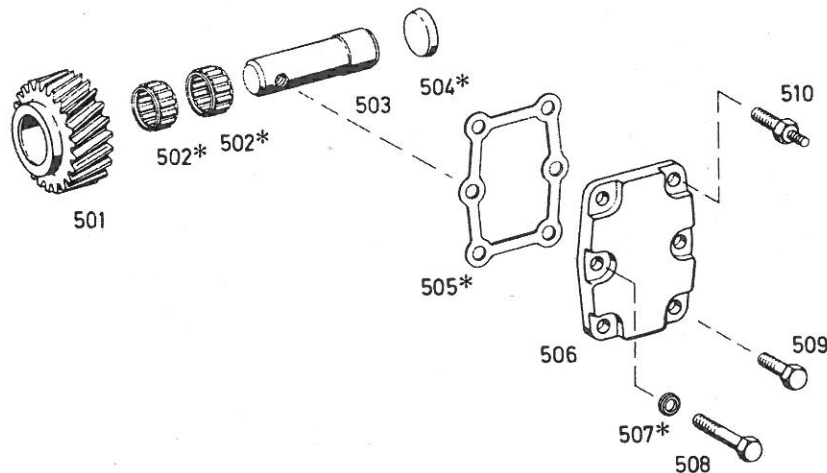


* Only available in Kits

S6-40 6-Speed Transmission and Spare Parts Catalog

S6-40 Spare Parts – Reverse Idler Group

| Pos # | ZF Part # | Description | Unit Specification (1052 000 ___) |
|-------|--------------|----------------------------|-----------------------------------|
| 501 | 1052 305 002 | Reverse Idler Gear (610Nm) | 031/032/035/036/044/045 |
| 501 | 1052 305 042 | Reverse Idler Gear | 046/047/081/084/087/089 |
| 503 | 1052 305 004 | Reverse Idler Shaft | All |
| 506 | 1052 305 037 | Cover | All |
| 508 | 0636 015 393 | Hexagon Screw M8x50 | All |
| 509 | 0636 015 436 | Hexagon Screw M8x25 | All |
| 510 | 1052 305 039 | Stud Screw | All |

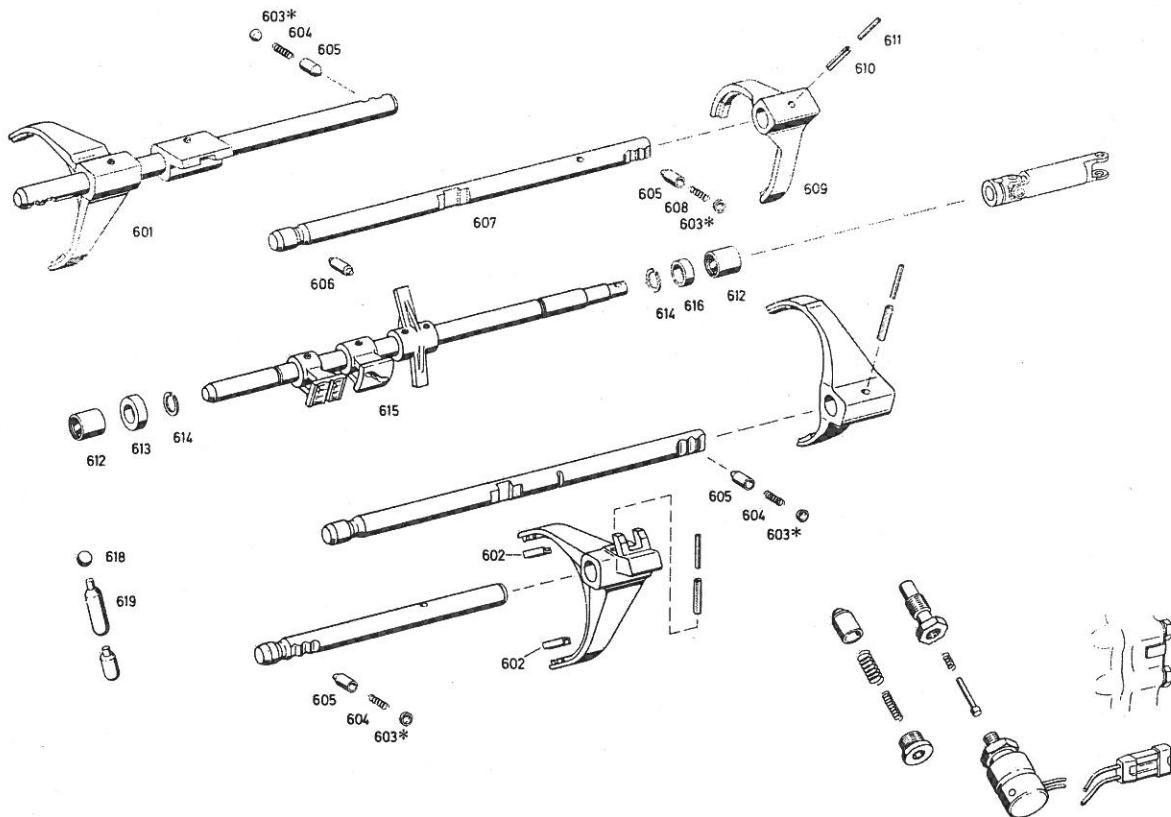


* Only available in Kits

S6-40 6-Speed Transmission and Spare Parts Catalog

S6-40 Spare Parts – Gear Shift System Group

| Pos # | ZF Part # | Description | Unit Specification (1052 000 __) |
|-------|--------------|----------------------|---|
| 601 | 1052 206 044 | 3/4 Gear Shift Rail | All |
| 602 | 1052 306 125 | Sliding Shoe | All |
| 604 | 0732 041 452 | Compression Spring | All |
| 605 | 1053 306 133 | Detent Pin | All |
| 606 | 1052 306 137 | Pressure Pin | All |
| 607 | 1052 306 124 | Rev Gear Shift Rail | All |
| 608 | 0770 060 783 | Compression Spring | All |
| 609 | 1052 306 173 | Rev Gear Shift Fork | All |
| 610 | 0631 329 070 | Slot Pin 6x32 | All |
| 611 | 0631 329 152 | Slot Pin 3.5x32 | All |
| 612 | 0750 115 238 | Ball Sleeve 18x24x24 | All |
| 613 | 1052 306 103 | Stop | All |
| 614 | 0630 531 203 | V-Ring | All |
| 615 | 1052 206 028 | Gear Shift Shaft | 031/032/035/036/044/045/046/047/081/084 |
| 615 | 1052 206 045 | Gear Shift Shaft | 087/089 |
| 616 | 1052 306 104 | Stop | All |
| 618 | 0635 460 115 | Ball 14mm | All |
| 619 | 1052 306 127 | Locking Pin | All |

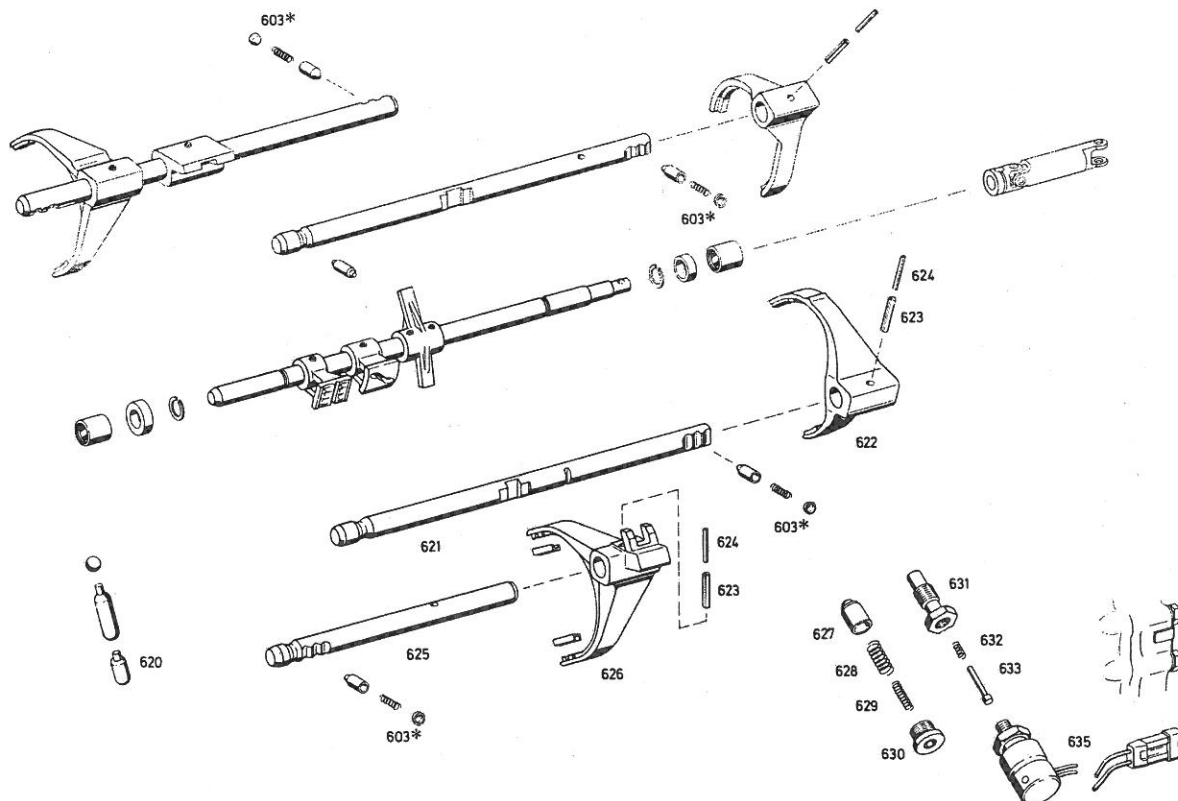


* Only available in Kits

S6-40 6-Speed Transmission and Spare Parts Catalog

S6-40 Spare Parts – Gear Shift System Group (Continued)

| Pos # | ZF Part # | Description | Unit Specification (1052 000 __) |
|-------|--------------|-----------------------|---|
| 620 | 1052 306 128 | Locking Pin | All |
| 621 | 1052 306 121 | 1/2 Gear Shift Rail | All |
| 622 | 1052 306 151 | 1/2 Gear Shift Fork | All |
| 623 | 0631 329 071 | Slot Pin 6x36 | All |
| 624 | 0631 329 029 | Slot Pin 3.5x36 | All |
| 625 | 1052 306 123 | 5/6 Gear Shift Rail | All |
| 626 | 1052 206 024 | 5/6 Gear Shift Fork | All |
| 627 | 1052 306 204 | Ball Roller | All |
| 628 | 0770 060 840 | Compression Spring | 035/036/044/045/046/047/081/084/087/089 |
| 629 | 0770 060 791 | Compression Spring | All |
| 630 | 1052 306 120 | Screw Plug M22x1.5 | All |
| 631 | 1052 306 111 | Bushing | 031/032 |
| 631 | 1052 306 142 | Bushing | 035/036/044/045/046/047/081/084/087/089 |
| 632 | 0732 042 152 | Compression Spring | All |
| 633 | 1052 306 112 | Pin | 031/032 |
| 633 | 1052 306 141 | Pin | 035/036/044/045/046/047/081/084/087/089 |
| 635 | 1052 206 022 | Magnet Shift Solenoid | 031/032 |
| 635 | 1052 206 029 | Magnet Shift Solenoid | 035/036/044/045/046/047/081/084/087/089 |

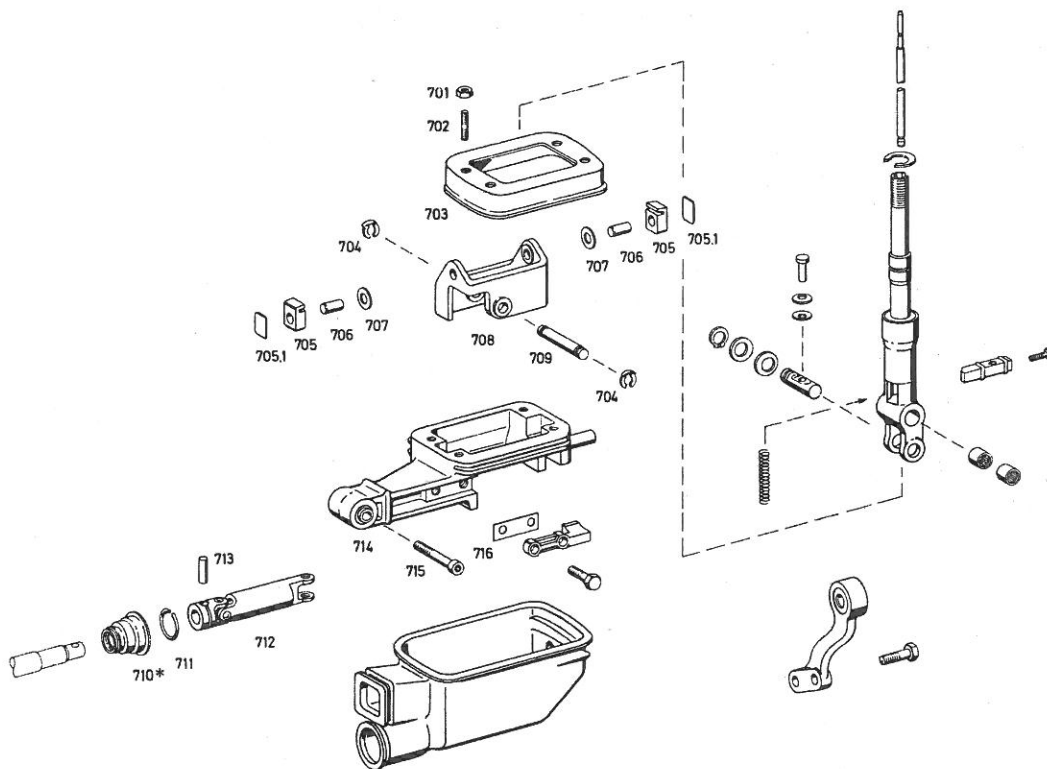


* Only available in Kits

S6-40 6-Speed Transmission and Spare Parts Catalog

S6-40 Spare Parts – Gear Shift Lever Group

| Pos # | ZF Part # | Description | Unit Specification (1052 000 ___) |
|-------|--------------|------------------------|---|
| 701 | 0637 006 122 | Hexagon Nut M6 | All |
| 702 | 1052 307 158 | Stud | All |
| 703 | 1052 307 104 | Cover | All |
| 704 | 0630 525 004 | Clamping Fixture | All |
| 705 | 1052 307 137 | Guide Piece | All |
| 705.1 | 1052 307 133 | Spacer Sheet 0.25 | All |
| 705.1 | 1052 307 134 | Spacer Sheet 0.35 | All |
| 705.1 | 1052 307 135 | Spacer Sheet 0.45 | All |
| 705.1 | 1052 307 136 | Spacer Sheet 0.55 | All |
| 706 | 1052 307 130 | Flange Bolt | All |
| 707 | 0630 004 092 | Shim Ring 12x18x0.2 | All |
| 708 | 1052 307 100 | Cardan Joint | All |
| 709 | 1052 307 126 | Axle | All |
| 711 | 0630 505 527 | Snap Ring | All |
| 712 | 1052 207 038 | Gear Shaft Rod | All |
| 713 | 1052 307 113 | Pin | All |
| 714 | 1052 207 022 | Remote Control Arm | All |
| 715 | 1052 307 129 | Screw | All |
| 716 | 0770 048 009 | Spacer Sheet 14x48x1.0 | 031/032/035/036/044/045/046/047/081/084 |
| 716 | 0770 048 010 | Spacer Sheet 14x48x1.2 | 031/032/035/036/044/045/046/047/081/084 |
| 716 | 0770 048 011 | Spacer Sheet 14x48x1.5 | 031/032/035/036/044/045/046/047/081/084 |
| 716 | 0770 048 012 | Spacer Sheet 14x48x1.8 | 031/032/035/036/044/045/046/047/081/084 |
| 716 | 0770 048 013 | Spacer Sheet 14x48x2.0 | 031/032/035/036/044/045/046/047/081/084 |
| 716 | 0770 048 014 | Spacer Sheet 14x48x1.1 | 031/032/035/036/044/045/046/047/081/084 |

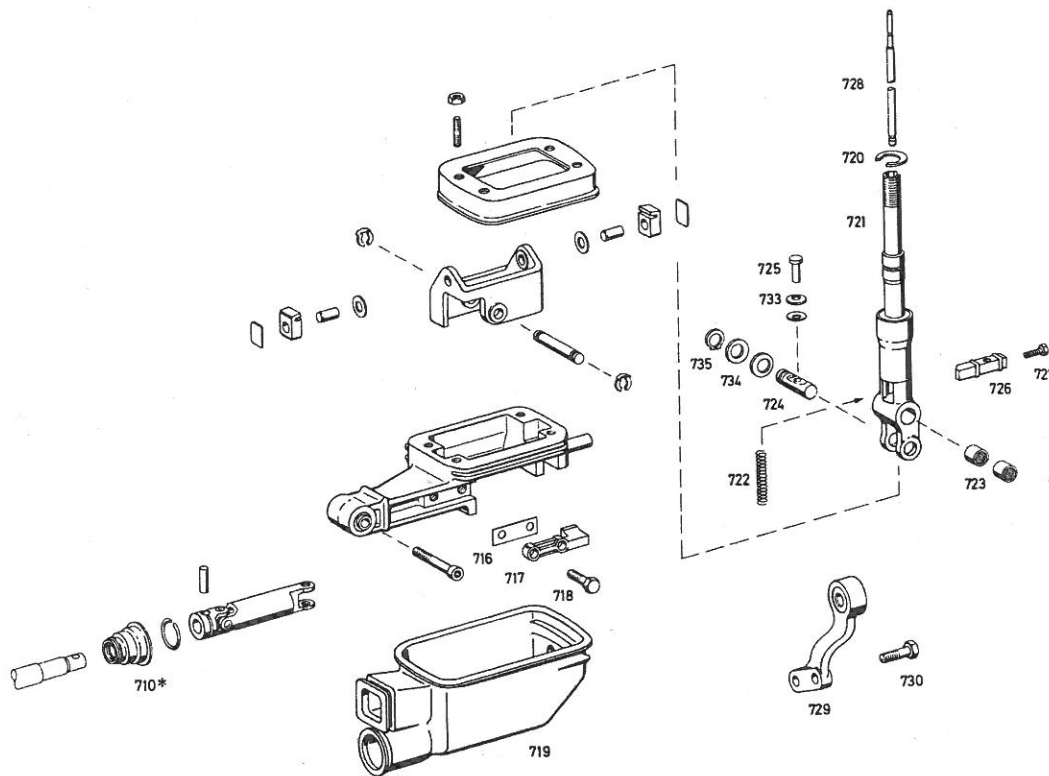


* Only available in Kits

S6-40 6-Speed Transmission and Spare Parts Catalog

S6-40 Spare Parts – Gear Shift Lever Group (Continued)

| Pos # | ZF Part # | Description | Unit Specification (1052 000 ____) |
|-------|--------------|--------------------------|---|
| 716 | 0770 048 015 | Spacer Sheet 14x48x1.3 | 031/032/035/036/044/045/046/047/081/084 |
| 716 | 0770 048 016 | Spacer Sheet 14x48x1.4 | 031/032/035/036/044/045/046/047/081/084 |
| 716 | 0770 048 017 | Spacer Sheet 14x48x1.6 | 031/032/035/036/044/045/046/047/081/084 |
| 716 | 0770 048 018 | Spacer Sheet 14x48x1.7 | 031/032/035/036/044/045/046/047/081/084 |
| 716 | 0770 048 019 | Spacer Sheet 14x48x1.9 | 031/032/035/036/044/045/046/047/081/084 |
| 717 | 1052 307 127 | Stop | 031/032/035/036/044/045/046/047/081/084 |
| 718 | 0636 015 436 | Hexagon Screw M8x25 | 031/032/035/036/044/045/046/047/081/084 |
| 719 | 1052 307 096 | Bellows | All |
| 720 | 0630 531 024 | Crescent Ring 0.50 | All |
| 721 | 1052 207 014 | Gear Shift Lever | 031/032/035/036/044/045/046/047/081/084 |
| 721 | 1052 207 054 | Gear Shift Lever | 087/089 |
| 722 | 0770 060 800 | Compression Spring | 031/032/035/036/044/045/046/047/081/084 |
| 723 | 0750 115 187 | Needle Sleeve 10x14x10 | All |
| 724 | 1052 307 120 | Pin | All |
| 725 | 1052 307 165 | Flange Bolt | All |
| 726 | 1052 207 056 | Stop Bolt | 031/032/035/036/044/045/046/047/081/084 |
| 727 | 0636 015 451 | Hexagon Screw M4x18 | 031/032/035/036/044/045/046/047/081/084 |
| 728 | 1052 307 079 | Draw Bar | 031/032/035/036/044/045/046/047/081/084 |
| 729 | 1052 207 018 | Bracket | All |
| 730 | 0636 015 321 | Hexagon Screw M8x30 | All |
| 733 | 0632 000 053 | Cup Spring 12.5 | All |
| 734 | 0770 067 023 | Cup Spring 15.1x23.7x0.9 | All |
| 735 | 0630 501 324 | Retaining Ring 15x1.5 | All |



* Only available in Kits

S6-40 6-Speed Transmission and Spare Parts Catalog

S6-40 Spare Parts – Kits

1052BRGK

| Pos # | ZF Part # | Description | Qty |
|-------|--------------|-------------------------|-----|
| 204 | 0735 368 025 | Roller Bearing 38x80x27 | 1 |
| 304 | 0735 410 345 | Roller Bearing 30x62x20 | 1 |
| 320 | 0735 450 063 | Roller Sleeve 38x63x22 | 1 |
| 401 | 0735 358 248 | Roller Cage 34x54x23 | 1 |
| 437 | 0735 368 025 | Roller Bearing 38x80x27 | 1 |

1052NK

| Pos # | ZF Part # | Description | Qty |
|-------|--------------|-------------------------|-----|
| 308 | 0735 321 081 | Needle Cage 53x59x34.5 | 1 |
| 318 | 0735 320 997 | Needle Cage 57x63x41 | 1 |
| 410 | 0770 029 096 | Needle Cage 43x48x39.5 | 2 |
| 412 | 0735 320 997 | Needle Cage 57x63x41 | 1 |
| 423 | 0735 321 080 | Needle Cage 53x59x35 | 1 |
| 426 | 0735 455 206 | Needle Bearing 46x59x35 | 1 |
| 502 | 0735 320 934 | Needle Cage 25x31x17 | 2 |

1052PPK

| Pos # | ZF Part # | Description | Qty |
|-------|--------------|------------------------|-----|
| 312 | 1052 304 121 | 3/4/5/6 Pressure Piece | 3 |
| 313 | 0635 460 010 | Ball 6mm | 3 |
| 314 | 0770 060 816 | Compression Spring | 3 |
| 404 | 1052 304 121 | 3/4/5/6 Pressure Piece | 3 |
| 405 | 0635 460 010 | Ball 6mm | 9 |
| 406 | 0770 060 816 | Compression Spring | 6 |
| 406.1 | 0770 060 815 | Compression Spring | 3 |
| 417 | 1052 304 117 | 1/2 Pressure Piece | 3 |
| 429 | 1052 304 128 | Rev Pressure Piece | 3 |

1052RBK

| Pos # | ZF Part # | Description | Qty |
|-------|--------------|---------------------|-----|
| 102 | 0501 311 160 | Cover | 1 |
| 105 | 1052 301 098 | Gasket | 1 |
| 107 | 0630 361 092 | Sealing Cap M18 | 1 |
| 107 | 0630 361 098 | Sealing Cap M14 | 1 |
| 111 | 1052 301 059 | Gasket | 1 |
| 118 | 1052 301 109 | Gasket | 1 |
| 144 | 0730 150 764 | Seal Ring 1.20 | 2 |
| 125 | 0501 310 504 | Shaft Seal | 1 |
| 130 | 0634 304 576 | O-Ring 53x2 | 1 |
| 146 | 0734 310 378 | Shaft Seal 35x50x7 | 1 |
| 301 | 0770 021 009 | Slotted Nut M30x1.5 | 1 |
| 504 | 0630 361 090 | Sealing Cap | 1 |
| 505 | 1052 305 040 | Gasket | 1 |
| 507 | 0630 050 016 | Usit Ring 8.7x13x1 | 1 |
| 603 | 0630 361 077 | Sealing Cap | 4 |
| 710 | 0501 311 205 | Shaft Seal 18x28x25 | 1 |

1052SK

| Pos # | ZF Part # | Description | Qty |
|-------|--------------|---------------------------|-----|
| 311 | 1052 304 119 | Synchronizer Ring 3/4/5/6 | 2 |
| 402 | 1052 304 119 | Synchronizer Ring 3/4/5/6 | 2 |
| 414 | 1052 304 146 | Internal Ring 1/2 | 2 |
| 415 | 1052 304 114 | Intermediate Ring 1/2 | 2 |
| 416 | 1052 304 142 | Synchronizer Ring 1/2 | 2 |
| 428 | 1052 304 133 | Synchronizer Ring Rev | 1 |

1052SMK

| Pos # | ZF Part # | Description | Qty |
|-------|--------------|----------------------|-----|
| 202 | 0730 001 795 | Shim 70.2x79.8x2.4 | 1 |
| 202 | 0730 001 796 | Shim 70.2x79.8x2.3 | 1 |
| 202 | 0730 001 797 | Shim 70.2x79.8x2.2 | 1 |
| 202 | 0730 001 798 | Shim 70.2x79.8x2.1 | 1 |
| 202 | 0730 001 799 | Shim 70.2x79.8x2.0 | 1 |
| 202 | 0730 003 414 | Shim 70.2x79.8x2.05 | 1 |
| 202 | 0730 003 415 | Shim 70.2x79.8x2.15 | 1 |
| 202 | 0730 003 416 | Shim 70.2x79.8x2.25 | 1 |
| 202 | 0730 003 417 | Shim 70.2x79.8x2.35 | 1 |
| 202 | 0730 004 785 | Shim 70.2x79.8x1.9 | 1 |
| 202 | 0730 004 786 | Shim 70.2x79.8x1.95 | 1 |
| 202 | 0730 004 787 | Shim 70.2x79.8x2.45 | 1 |
| 202 | 0730 004 788 | Shim 70.2x79.8x2.5 | 1 |
| 202 | 0730 005 332 | Shim 70.2x79.8x1.8 | 1 |
| 202 | 0730 005 333 | Shim 70.2x79.8x1.85 | 1 |
| 202 | 0730 005 416 | Shim 70.2x79.8x1.7 | 1 |
| 202 | 0730 005 417 | Shim 70.2x79.8x1.75 | 1 |
| 303 | 0730 002 385 | Washer 51x61.8x2.2 | 1 |
| 303 | 0730 002 386 | Washer 51x61.8x2.1 | 1 |
| 303 | 0730 002 387 | Washer 51x61.8x2.0 | 1 |
| 303 | 0730 002 388 | Washer 51x61.8x1.9 | 1 |
| 303 | 0730 002 808 | Washer 51x61.8x1.95 | 1 |
| 303 | 0730 002 809 | Washer 51x61.8x2.05 | 1 |
| 303 | 0730 002 810 | Washer 51x61.8x2.15 | 1 |
| 433 | 0730 005 426 | Washer 45.6x62x2.5 | 1 |
| 433 | 0730 005 427 | Washer 45.6x62x2.55 | 1 |
| 433 | 0730 005 428 | Washer 45.6x62x2.6 | 1 |
| 433 | 0730 005 429 | Washer 45.6x62x2.65 | 1 |
| 433 | 0730 005 430 | Washer 45.6x62x2.7 | 1 |
| 433 | 0730 005 431 | Washer 45.6x62x2.75 | 1 |
| 438 | 0730 001 795 | Shim 70.2x79.8x2.4 | 1 |
| 438 | 0730 001 796 | Shim 70.2x79.8x2.3 | 1 |
| 438 | 0730 001 797 | Shim 70.2x79.8x2.2 | 1 |
| 438 | 0730 001 798 | Shim 70.2x79.8x2.1 | 1 |
| 438 | 0730 001 799 | Shim 70.2x79.8x2.0 | 1 |
| 438 | 0730 003 414 | Shim 70.2x79.8x2.05 | 1 |
| 438 | 0730 003 415 | Shim 70.2x79.8x2.15 | 1 |
| 438 | 0730 003 416 | Shim 70.2x79.8x2.25 | 1 |
| 438 | 0730 003 417 | Shim 70.2x79.8x2.35 | 1 |
| 438 | 0730 004 785 | Shim 70.2x79.8x1.9 | 1 |
| 438 | 0730 004 786 | Shim 70.2x79.8x1.95 | 1 |
| 438 | 0730 004 787 | Shim 70.2x79.8x2.45 | 1 |
| 438 | 0730 004 788 | Shim 70.2x79.8x2.5 | 1 |
| 438 | 0730 005 332 | Shim 70.2x79.8x1.8 | 1 |
| 438 | 0730 005 333 | Shim 70.2x79.8x1.85 | 1 |
| 438 | 0730 005 416 | Shim 70.2x79.8x1.7 | 1 |
| 438 | 0730 005 417 | Shim 70.2x79.8x1.75 | 1 |
| 439 | 0770 034 849 | Washer 38.05x50x2.5 | 1 |
| 439 | 0770 034 850 | Washer 38.05x50x2.55 | 1 |
| 439 | 0770 034 851 | Washer 38.05x50x2.6 | 1 |
| 439 | 0770 034 852 | Washer 38.05x50x2.65 | 1 |
| 439 | 0770 034 853 | Washer 38.05x50x2.7 | 1 |
| 439 | 0770 034 854 | Washer 38.05x50x2.75 | 1 |
| 439 | 0770 034 855 | Washer 38.05x50x2.8 | 1 |

Above listed parts are not sold individually

S6-40 6-Speed Transmission and Spare Parts Catalog

S6-40 Spare Parts – Kits (Continued)

1052SRK

| Pos # | ZF Part # | Description | Qty |
|-------|--------------|------------------------|-----|
| 203 | 0630 501 178 | Retaining Ring 38x2.3 | 1 |
| 203 | 0630 501 302 | Retaining Ring 38x2.4 | 1 |
| 203 | 0630 531 047 | Retaining Ring 38x2.5 | 1 |
| 302 | 0630 532 054 | Retaining Ring 62x3 | 1 |
| 305 | 0630 531 134 | Retaining Ring 44x1.75 | 1 |
| 310 | 0770 069 639 | Retaining Ring 53x2.8 | 1 |
| 310 | 0770 069 640 | Retaining Ring 53x2.9 | 1 |
| 310 | 0770 069 641 | Retaining Ring 53x3.0 | 1 |
| 403 | 0630 501 120 | Retaining Ring 42x2.4 | 1 |
| 403 | 0630 501 156 | Retaining Ring 42x2.3 | 1 |
| 403 | 0630 531 052 | Retaining Ring 42x2.5 | 1 |
| 419 | 0770 069 639 | Retaining Ring 53x2.8 | 1 |
| 419 | 0770 069 640 | Retaining Ring 53x2.9 | 1 |
| 419 | 0770 069 641 | Retaining Ring 53x3.0 | 1 |
| 434 | 0630 531 057 | Retaining Ring 45x2.5 | 1 |
| 440 | 0630 531 047 | Retaining Ring 38x2.5 | 1 |

Above listed parts are not sold individually

S6-40 6-Speed Transmission and Spare Parts Catalog

Cross Reference ZF Part # - GM Part

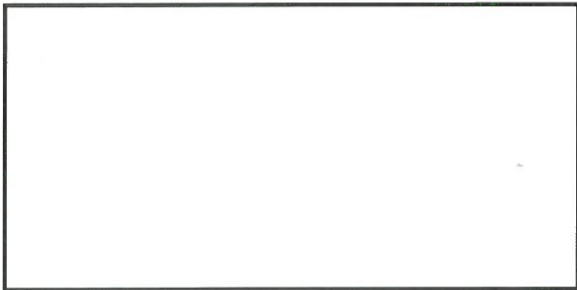
| ZF Part # | GM Part # |
|--------------|-----------|
| 0501 310 389 | 12507670 |
| 0501 310 390 | 12507671 |
| 0501 310 504 | 10140538 |
| 0501 310 946 | 10159402 |
| 0501 311 160 | 10140535 |
| 0630 050 016 | 10140537 |
| 0630 302 111 | 12507667 |
| 0630 361 077 | 10140674 |
| 0630 361 090 | 12507666 |
| 0634 304 576 | 10140532 |
| 0636 010 632 | 10140571 |
| 0636 015 321 | 10159403 |
| 0636 015 434 | 12507669 |
| 0636 015 435 | 12507668 |
| 0636 015 436 | 10140561 |
| 0636 104 141 | 10140542 |
| 0730 001 795 | 10181356 |
| 0730 001 796 | 10181354 |
| 0730 001 797 | 10181352 |
| 0730 001 798 | 10181350 |
| 0730 001 799 | 10181348 |
| 0730 003 414 | 10181349 |
| 0730 003 415 | 10181351 |
| 0730 003 416 | 10181353 |
| 0730 003 417 | 10181355 |
| 0730 004 785 | 10181346 |
| 0730 004 786 | 10181347 |
| 0730 004 787 | 10181357 |
| 0730 004 788 | 10181358 |
| 0730 005 332 | 10181344 |
| 0730 005 333 | 10181345 |
| 0730 005 416 | 10181342 |

| ZF Part # | GM Part # |
|----------------|-----------|
| 0730 005 417 | 10181343 |
| 0734 310 378 | 10140533 |
| 1052 201 036 | 12456331 |
| 1052 201 038 | 10140671 |
| 1052 206 022 | 10159404 |
| 1052 206 029 | 10140541 |
| 1052 207 018 | 10140675 |
| 1052 301 069 | 10140673 |
| 1052 301 070 | 10140670 |
| 1052 301 071 | 12507675 |
| 1052 301 098 | 10147905 |
| 1052 301 109 | 12508276 |
| 1052 301 130 | 12511386 |
| 1052 301 132 | 12511387 |
| 1052 305 037 | 10147906 |
| 1052 305 039 | 10147909 |
| 1052 305 040 | 10147907 |
| 1052 306 204 | 12528778 |
| 1052 307 129 | 12534208 |
| 1052 000 031ZW | 12352884 |
| 1052 000 032ZW | 12351965 |
| 1052 000 035ZW | 12352884 |
| 1052 000 036ZW | 12351965 |
| 1052 000 044ZW | 12351965 |
| 1052 000 045ZW | 12352884 |
| 1052 000 046ZW | 12351965 |
| 1052 000 047ZW | 12352884 |
| 1052 000 081ZW | 12455186 |
| 1052 000 084ZW | 12455187 |
| 1052 000 087ZW | 12455188 |
| 1052 000 089ZW | 12455189 |

S6-40 6-Speed Transmission and Spare Parts Catalog

Notes

Distributed By:



ZF INDUSTRIES, INC.
Passenger Car Transmissions
Vernon Hills, IL
Phone: 800.660.2269
www.zf-group.com

STC0100