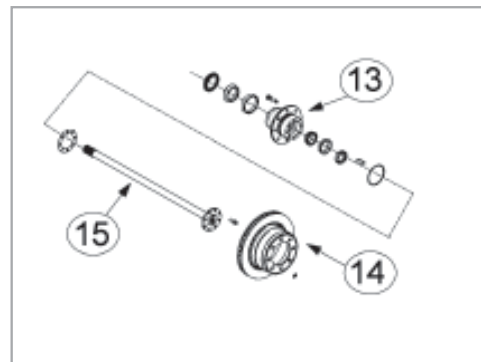
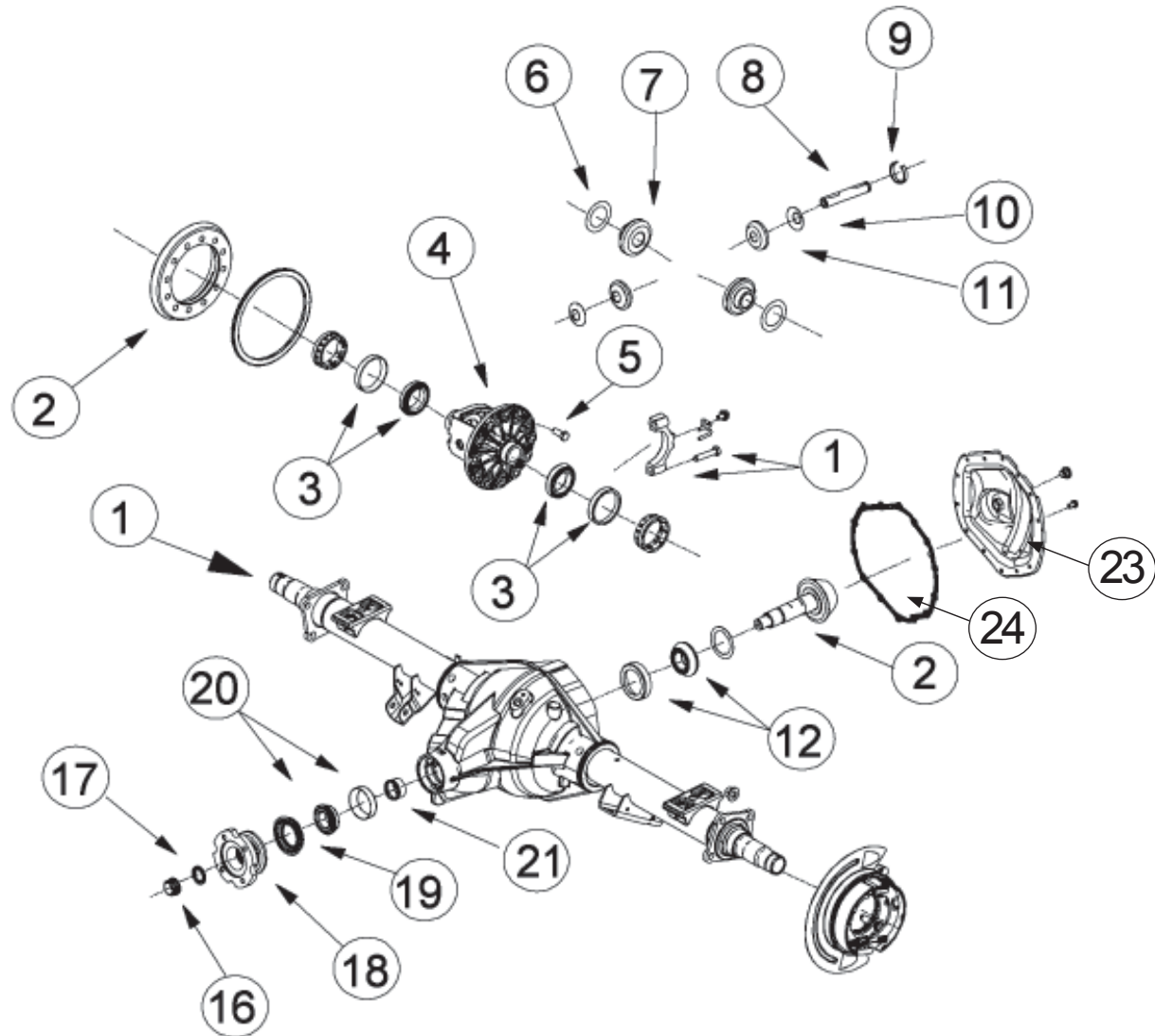
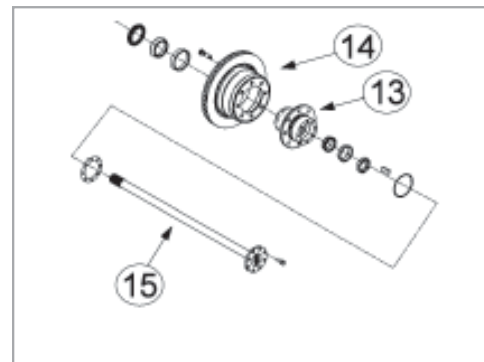




Dodge 11.5" Rear Axle



SINGLE WHEEL



DUAL WHEEL

ILL #	AAM PART NUMBER	OE PART NUMBER	DESCRIPTION	REQ	USAGE	MODEL YEAR
1			AXLE HOUSING		FOR REFERENCE ONLY	
2	40088177		RING & PINION GEAR SET (3.73 RATIO; 2 CUT)	1	DODGE RAM	2003+
2	40088195		RING & PINION GEAR SET (4.10 RATIO; 2 CUT)	1	DODGE RAM	2003+
2	40101174		RING & PINION GEAR SET (3.42 RATIO; 2 CUT)	1	DODGE RAM	2007+
3	26064499	05086906AA	DIFF. CASE BEARING ASM (CUP & CONE)	2	DODGE RAM	2003+
4	40101021		DIFFERENTIAL OPEN CASE (WITHOUT INTERNALS)	1	DODGE RAM	2003+
4	40101020		DIFFERENTIAL OPEN CASE ASSEMBLY (WITH INTERNALS)	1	DODGE RAM	2003+
4	40099548		HELICAL LIMITED SLIP DIFF ASSEMBLY - TRACRITE® GT	1	DODGE RAM	2003+
5	40022812	05086783AB	RING GEAR BOLT W/ ADHESIVE	12	DODGE RAM	2003+
6	AVAILABLE IN KIT ONLY		SIDE THRUST WASHER	2	DODGE RAM	2003+
7	AVAILABLE IN KIT ONLY		SIDE GEAR	2	DODGE RAM	2003+
8	AVAILABLE IN KIT ONLY		PINION SHAFT	1	DODGE RAM	2003+
9	AVAILABLE IN KIT ONLY		PINION SHAFT RETAINING RING	1	DODGE RAM	2003+
10	AVAILABLE IN KIT ONLY		PINION THRUST WASHER	2	DODGE RAM	2003+
11	AVAILABLE IN KIT ONLY		PINION GEAR	2	DODGE RAM	2003+
12	26064500	05086907AA	LARGE PINION BEARING ASM (CUP & CONE)	1	DODGE RAM	2003+
13			SINGLE WHEEL HUB (WITHOUT INTERNALS)		FOR REFERENCE ONLY	
14			SINGLE WHEEL ROTOR		FOR REFERENCE ONLY	
14			HUB & ROTOR ASSEMBLY, DUAL WHEEL		FOR REFERENCE ONLY	
15	40022280	05086984AB	AXLE SHAFT (1019 MM; 30 TOOTH; 8 BOLT; DUAL WHEEL; DISC)	2	DODGE RAM	2003+
15	40041952	68642094AA	AXLE SHAFT (968 MM; 30 TOOTH; 8 BOLT; DISC)	2	DODGE RAM	2007+
16	40003027	05086782AA	PINION NUT	1	DODGE RAM	2003+
17	40003255	05086781AA	PINION NUT WASHER	1	DODGE RAM	2003+
18	40062272	05127609AD	PINION YOKE (PILOTED; SHORT 63:6)	1	DODGE RAM	2003+
19	26064030	05086789AA	TRIPLE LIP PINION SEAL	1	DODGE RAM	2003+
20	9418356	05086789AB	SMALL PINION BEARING ASM (CUP & CONE)	1	DODGE RAM	2003+
21	40011051	05086910AA	COLLAPSIBLE SPACER	1	DODGE RAM	2003+
22	40023048	05086914AB	EXCITER RING	1	DODGE RAM	2003+
23	40013758	05096124AA	COVERPAN	1	DODGE RAM	2003+
24	40005967	05086905AA	RUBBER OVER METAL COVERPAN GASKET	1	DODGE RAM	2003+

AAM 1150 REAR AXLE (14 BOLT)

VEHICLE REFERENCE GUIDE

DODGE RAM 2003+



Dodge 11.5" Rear Axle

74010016 11.5" REAR 14 BOLT - MASTER INSTALL KIT
Ram 2500/3500
 MODEL YEAR 2003 to Current

AAM PART #	O.E. PART #	DESCRIPTION	QTY
26060977	26060977	PINION SEAL SLEEVE	1
40001357		RUBBER OVER METAL COVERPAN GASKET	1
40005967	05086905AA	RUBBER OVER METAL COVERPAN GASKET	1
		PINION SHIM	18
40022812	05086783AB	RING GEAR BOLT W/ ADHESIVE	14
40020764		HEX BOLT W/ ADHESIVE	16
40007601		MAGNETIC FILL/DRAIN PLUG	1
40042937		FILL/DRAIN PLUG	1
40051851	40047505	HUB GASKET	4
40011051	05086910AA	COLLAPSIBLE SPACER	2
40041239		SPECIAL COVERPAN BOLT	2
40023476		WHEEL BOLT W/ ADHESIVE	16
40003027	05086782AA	PINION NUT	1
26064030	05086789AA	TRIPLE LIP PINION SEAL	2
40003255	05086781AA	PINION NUT WASHER	1
40002169		COVERPAN BOLT W/ ADHESIVE	14

74067011 11.5" REAR 14 BOLT - MASTER BEARING KIT
Silverado, Sierra
 MODEL YEAR 2001 to 2010

AAM PART #	O.E. PART #	DESCRIPTION	QTY
	26064500	PINION HEAD BEARING ASM (CUP & CONE)	1
	9418357	PINION TAIL BEARING ROLLER	1
	9418358	PINION TAIL BEARING RACE	1
	26064030	PINION SEAL	1
74003027	40003027	PINION NUT	1
74003244	40003255	PINION NUT WASHER	1
74001051	40011051	COLLAPSIBLE SPACER	1
74004499	40016979	DIFFERENTIAL BEARING ASM (CUP & CONE)	2

74046293 11.5" REAR 14 BOLT - 30 TOOTH - DIFFERENTIAL GEAR KIT
RAM 2500/3500
 MODEL YEAR 2003 to 2010

AAM PART #	O.E. PART #	DESCRIPTION	QTY
		PINION GEAR	2
		SIDE THRUST WASHER	2
		PINION SHAFT RETAINING RING	1
		SIDE GEAR	2
		PINION SHAFT	1
		PINION THRUST WASHER	2

74020013 11.5" REAR 14 BOLT - PINION SEAL KIT
RAM 2500/3500
 MODEL YEAR 2001 to Current

AAM PART #	O.E. PART #	DESCRIPTION	QTY
26064030	05086789AA	TRIPLE LIP PINION SEAL	1
40003255	05086781AA	PINION NUT WASHER	1
40011051	05086910AA	COLLAPSIBLE SPACER	1
40003027	05086782AA	PINION NUT	1
26060977	26060977	PINION SEAL SLEEVE	1

74030016 11.5" REAR STEEL - COVERPAN KIT
RAM 2500/3500
 MODEL YEAR 2003 to Current

AAM PART #	O.E. PART #	DESCRIPTION	QTY
40013758	05096124AA	COVERPAN	1
40005967	05086905AA	RUBBER OVER METAL COVERPAN GASKET	1
40002169		COVERPAN BOLT W/ ADHESIVE	14
40007601		MAGNETIC FILL/DRAIN PLUG	1

74030017 11.5" REAR ALUMINUM - COVERPAN KIT
RAM 2500/3500
 MODEL YEAR 2003 to Current

AAM PART #	O.E. PART #	DESCRIPTION	QTY
40057537		COVERPAN	1
40005967	05086905AA	RUBBER OVER METAL COVERPAN GASKET	1
40052287		COVERPAN BOLT W/ ADHESIVE	14
40007601		MAGNETIC FILL/DRAIN PLUG	1

74070005 11.5" REAR SINGLE WHEEL - WHEEL END KIT
RAM 2500/3500
 MODEL YEAR 2003 to Current

AAM PART #	O.E. PART #	DESCRIPTION	QTY
40105400RACE		INNER WHEEL END RACE	1
40105400CONE		INNER WHEEL END BEARING	1
9428909		OUTER WHEEL END BEARING	1
9428539		OUTER WHEEL END RACE	1
40015029		HUB SEAL	2
341509		HUB NUT	2
40047505		HUB GASKET	2
	341511	RETAINING RING - HUB	2
	341510	HUB NUT LOCK	2
40020764		HEX BOLT W/ ADHESIVE	16

74070006 11.5" REAR DUAL WHEEL - WHEEL END KIT
RAM 2500/3500
 MODEL YEAR 2003 to Current

AAM PART #	O.E. PART #	DESCRIPTION	QTY
40105402RACE		INNER WHEEL END RACE	1
40105402CONE		INNER WHEEL END BEARING	1
40012061		HUB SEAL	2
341509		HUB NUT	2
40047505		HUB GASKET	2
	341511	RETAINING RING - HUB	2
	341510	HUB NUT LOCK	2
40020764		HEX BOLT W/ ADHESIVE	16
9428909		OUTER WHEEL END BEARING	1
9428539		OUTER WHEEL END RACE	1

AAM 1150 REAR AXLE (14 BOLT)