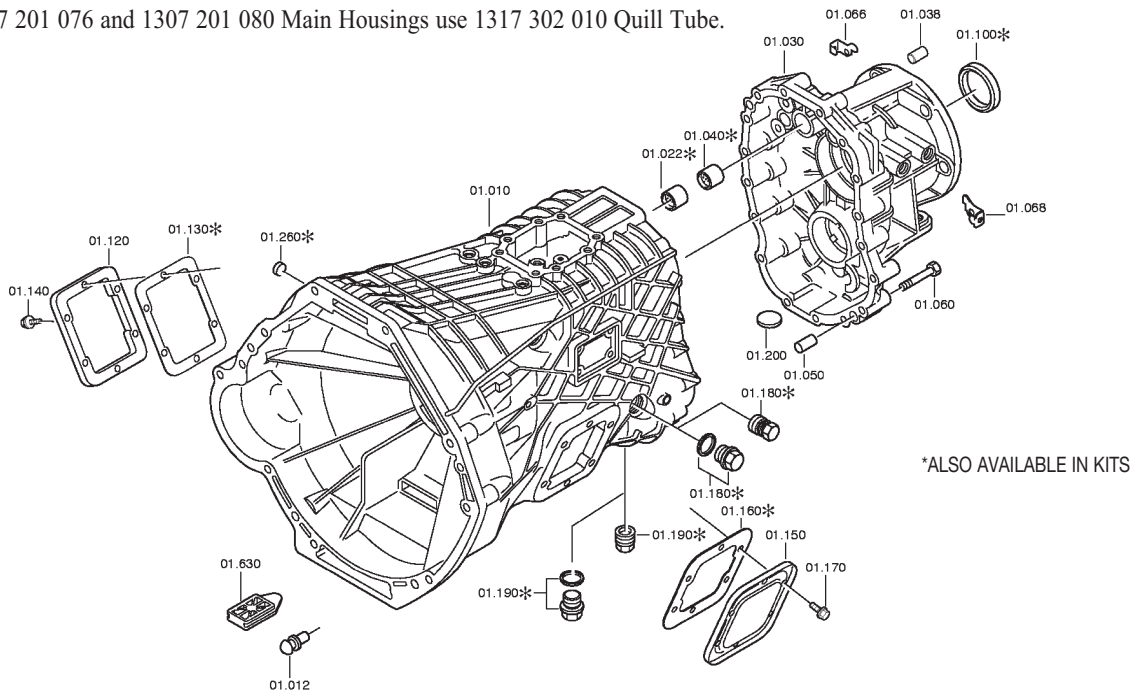


Remanufactured Transmissions, Spare Parts, and Kits Catalog

S5-42 Spare Parts - Gearbox Housing Group

Pos #	ZF Part #	Description	Unit Specification (1307 050 _____)
01.010	1307 201 005 1307 201 076 1307 201 080	Main Housing Main Housing Main Housing	050/051/064/118 056/057/059/100/102/103/108/109/110/111 053/054/120
01.012	1307 301 011	Pin	053/054/056/057/059/100/102/103/108/109/110/111/120
01.030	1307 301 015 1307 301 041 1307 301 093 1307 301 094 1307 301 136	Rear Housing 4 x 2 Rear Housing 4 x 2 Rear Housing 4 x 4 Rear Housing 4 x 4 Rear Housing 4 x 2	053/054/056/057/059 050/051/064 100/102/103/109/111/120 118 108/110
01.038	0750 101 028	Cylindrical Pin	100/102/103/109/111/118/120
01.050	0631 306 154	Cylindrical Pin M6x25	All
01.060	0636 010 374	Hexagon Screw M8x55	All
01.066	1307 301 237	Fixing Plate	All
01.068	1307 301 237	Fixing Plate	All
01.120	1304 301 035	Cover	All
01.140	0736 617 043	Hexagon Screw	All
01.150	1304 301 035	Cover	All
01.170	0736 617 043	Hexagon Screw	All
01.180	0501 209 879 0636 304 049 0736 304 150	Screw Plug M22x1.75 Screw Plug M24x1.5 Screw Plug M24x1.5	All All All
01.190	0501 209 879 0636 304 049 0736 304 150	Screw Plug M22x1.75 Screw Plug M24x1.5 Screw Plug M24x1.5	All All All
01.200	1048 301 010	Magnet	All
01.630	1307 301 072	Rubber Cap	All

- 1307 201 076 and 1307 201 080 Main Housings use 1317 302 010 Quill Tube.

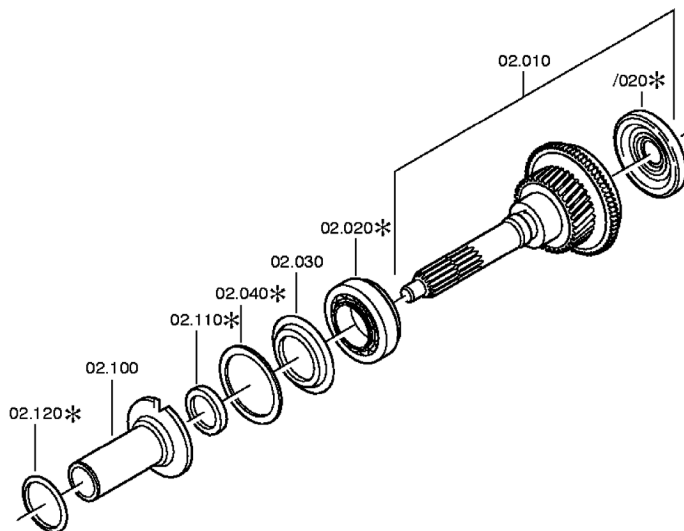


Remanufactured Transmissions, Spare Parts, and Kits Catalog

S5-42 Spare Parts – Input Shaft Group

Pos #	ZF Part #	Description	Unit Specification (1307 050 _____)
02.010	1307 202 126 1307 202 127 1307 202 128	Input Shaft Input Shaft Input Shaft	050/051/064/118 053/054/059/102/110/111/120 056/057/100/103/108/109
02.030	0501 309 612	Nilos Ring	All
02.100	1307 302 060 1317 302 010	Quill Tube Quill Tube	053/054/056/057/059/100/102/103/108/109/110/111/120 1307 201 076 and 1307 201 080 Housings Only

- 1307 201 076 and 1307 201 080 Main Housings use 1317 302 010 Quill Tube.
- The Nilos Ring 0501 309 612 is also available in the 1307 Major and Minor.

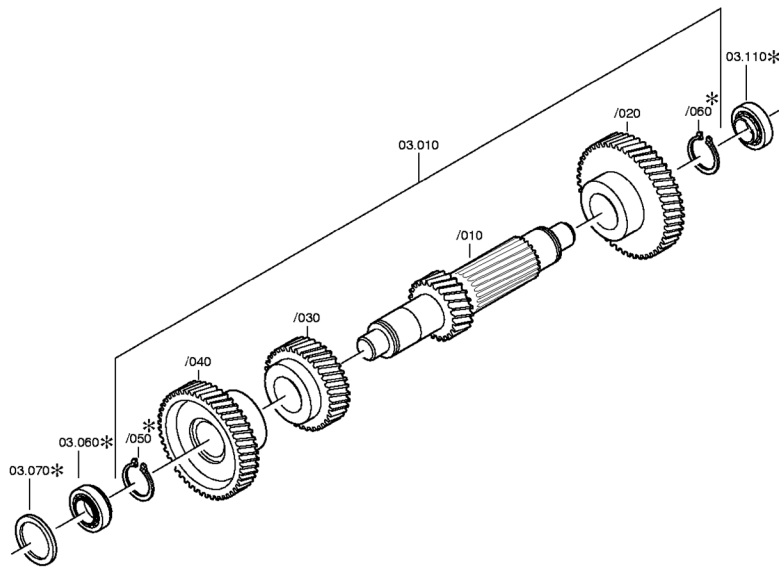


*ALSO AVAILABLE IN KITS

Remanufactured Transmissions, Spare Parts, and Kits Catalog

S5-42 Spare Parts – Countershaft Group

Pos #	ZF Part #	Description	Unit Specification (1307 050 _____)
03.010	1307 203 036 1307 203 037	Countershaft Assembly Countershaft Assembly	050/051/053/054/059/064/102/110/111/118/120 056/057/100/103/108/109
03.010/010	1307 303 115 1317 303 011	1/2/Rev Countershaft 1/2/Rev Countershaft	056/057/100/103/108/109 050/051/053/054/059/064/102/110/111/118/120
03.010/020	1307 303 112 1307 303 113	5th Counter Gear 5th Counter Gear	050/051/053/054/059/064/102/110/111/118/120 056/057/100/103/108/109
03.010/030	1307 303 109 1307 303 110	3rd Counter Gear 3rd Counter Gear	056/057/100/103/108/109 050/051/053/054/059/064/102/110/111/118/120
03.010/040	1307 303 014 1307 303 015	4th Counter Gear 4th Counter Gear	050/051/053/054/059/064/102/110/111/118/120 056/057/100/103/108/109



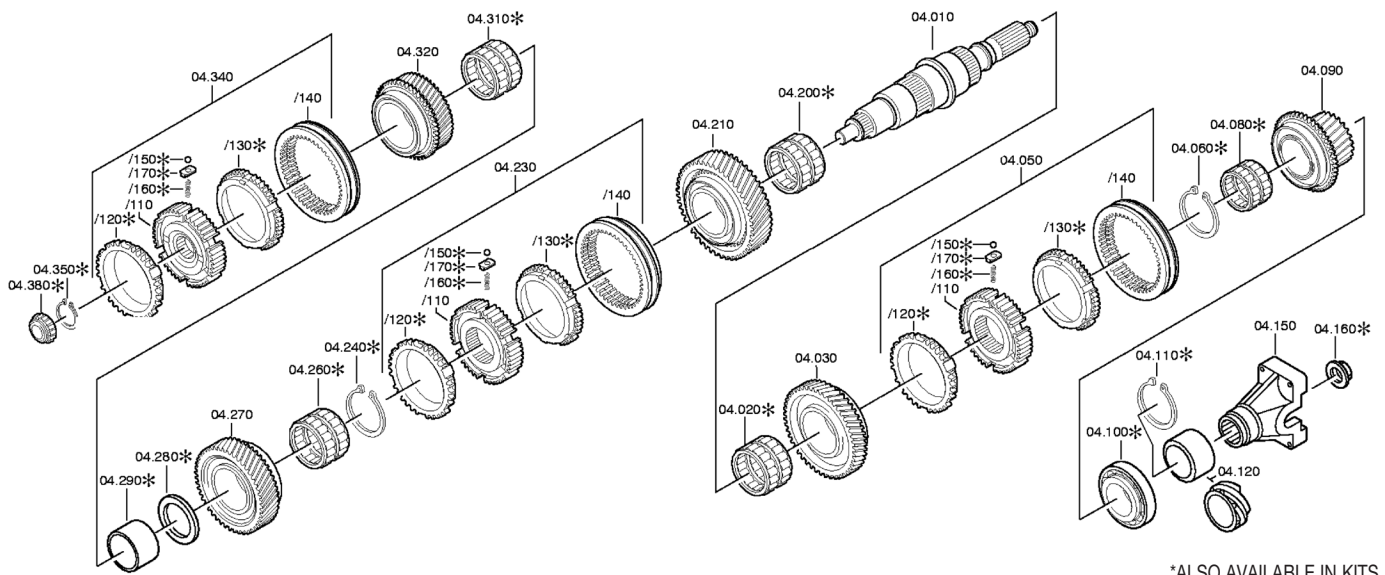
*ALSO AVAILABLE IN KITS

Remanufactured Transmissions, Spare Parts, and Kits Catalog

S5-42 Spare Parts – Main Shaft Group

Pos #	ZF Part #	Description	Unit Specification (1307 050 _____)
04.010	1307 304 352 1307 304 353 1317 304 066	Main Shaft 4 x 4 Main Shaft 4 x 4 Main Shaft 4 x 2	100/102/103/109/111/120 118 050/051/053/054/056/057/059/064/108/110
04.030*	1307 204 297 1307 304 590	Gear, Main Shaft Rev Gear, Main Shaft Rev	All All
04.050	1307 204 239	5/R Synchronizer Assembly	All
04.050/110	1307 304 167	5/R Synchronizer Body	All
04.050/140	1307 304 372	5/R Sliding Sleeve	All
04.090	1307 204 323 1307 204 324	5th Speed Gear 5th Speed Gear	050/051/053/054/059/064/102/110/111/118/120 056/057/100/103/108/109
04.120	1307 204 047 1307 204 048 1307 304 489	Speedo Gear 7 Teeth (white) Speedo Gear 8 Teeth (black) Spacer	050/053/056/059/064 051/054/057 108/110
04.150	1307 304 073 1307 304 079	Yoke Yoke	050/051/064 053/054/056/057/059/108/110
04.210	1307 204 298	1st Speed Gear	All
04.230	1307 204 243	1/2 Synchronizer Assembly	All
04.230/110	1307 304 166	1/2 Synchronizer Body	All
04.230/140	1307 304 370	1/2 Sliding Sleeve	All
04.270	1307 204 319 1307 204 320	2nd Speed Gear 2nd Speed Gear	050/051/053/054/059/064/102/110/111/118/120 056/057/100/103/108/109
04.320	1307 204 321 1307 204 322	3rd Speed Gear 3rd Speed Gear	050/051/053/054/059/064/102/110/111/118/120 056/057/100/103/108/109
04.340	1307 204 244	3/4 Synchronizer Assembly	All
04.340/110	1307 304 168	3/4 Synchronizer Body	All
04.340/140	1307 304 371	3/4 Sliding Sleeve	All

*ZF Part #1307 304 590 is 100% interchangeable with ZF Part #1307 204 297. Orders will be filled depending on stock.

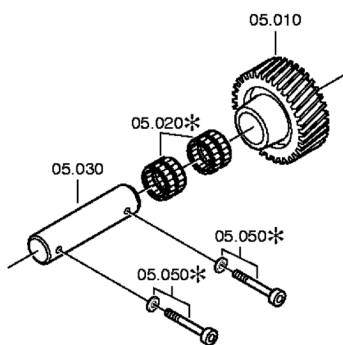


*ALSO AVAILABLE IN KITS

Remanufactured Transmissions, Spare Parts, and Kits Catalog

S5-42 Spare Parts – Reverse Idler Group

Pos #	ZF Part #	Description	Unit Specification (1307 050 ____)
05.010	1317 305 004	Idler Gear	All
05.030	1307 305 003	Idler Shaft Pin	All
05.050	0636 101 663	Cap Screw M8x50	All

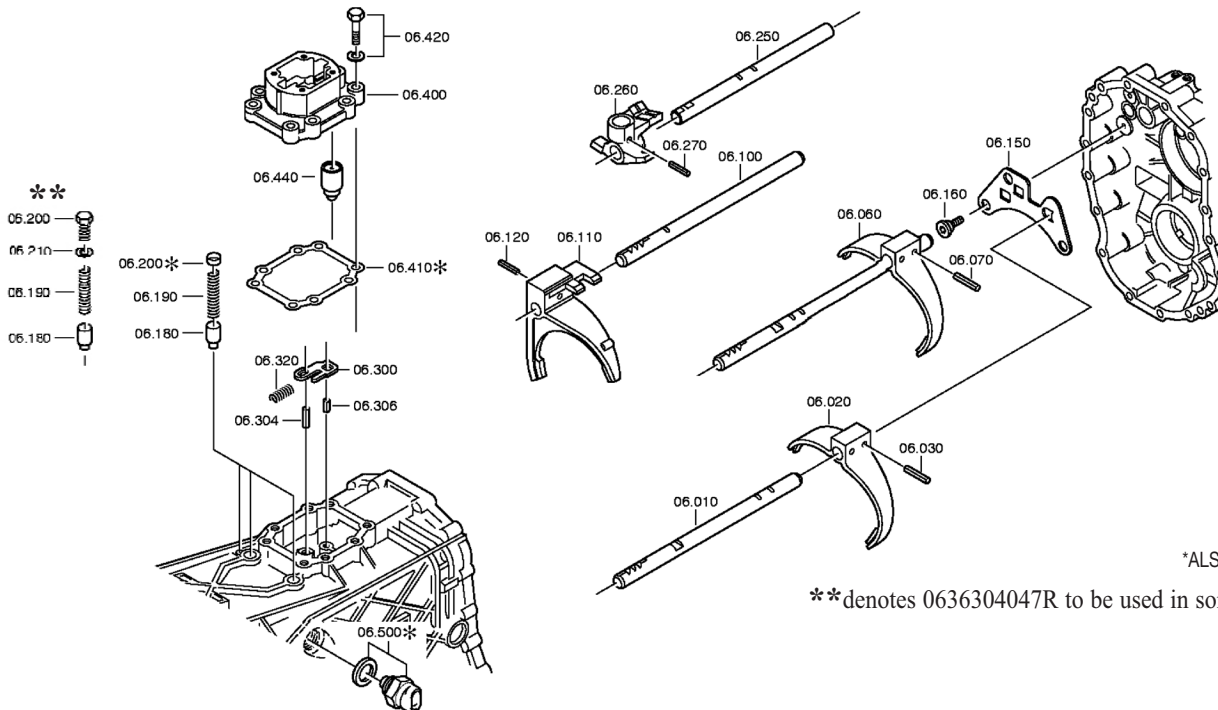


*ALSO AVAILABLE IN KITS

Remanufactured Transmissions, Spare Parts, and Kits Catalog

S5-42 Spare Parts – Gear Shift System Group

Pos #	ZF Part #	Description	Unit Specification (1307 050 _____)
06.010	1307 306 219	5/R Gear Shift Rail	All
06.020	1307 306 019	5/R Gear Shift Fork	All
06.030	0631 329 069	Slot Pin M6x30	All
06.060	1307 298 933	1/2 Shift Fork Assembly	All
06.070	0631 329 069	Slot Pin M6x30	All
06.100	1307 306 169	3/4 Gear Shift Rail	All
06.110	1307 206 003	3/4 Gear Shift Fork	All
06.120	0631 329 069	Slot Pin M6x30	All
06.150	1307 306 230	Shifter Interlock	All
06.160	1307 306 121	Collar Screw	All
06.180	1307 306 170	Detent Pin	All
06.190	0732 041 946	Compression Spring	All
06.200	0636 304 047R	Plug M12x1.5	109
06.210	0634 801 027	Washer	109
06.250	1307 306 146 1307 306 148	Gear Shift Shaft Gear Shift Shaft	053/054/056/057/059/100/102/103/108/109/110/111/120 050/051/064/118
06.260	1307 306 062 1307 306 063	Gear Shift Finger Gear Shift Finger	050/051/064/118 053/054/056/057/059/100/102/103/108/109/110/111/120
06.270	0631 329 069	Slot Pin M6x30	All
06.300	1307 306 229	Stop Plate	All
06.304	0631 330 131	Slot Pin M8x22	All
06.306	0631 330 006	Slot Pin M5x16	All
06.320	0732 041 947	Compression Spring	All
06.400	1307 306 046	Gear Shift Housing	All
06.420	0630 302 090 0636 015 277	Spring Washer Hexagon Screw M8x35	All All
06.440	0501 206 040 0501 206 818	Gear Shift Detent Gear Shift Detent	050/051/053/054/056/057/059/100/102/108/109/110/111/118/120 064/103
06.500	0501 209 492	Switch	All



*ALSO AVAILABLE IN KITS

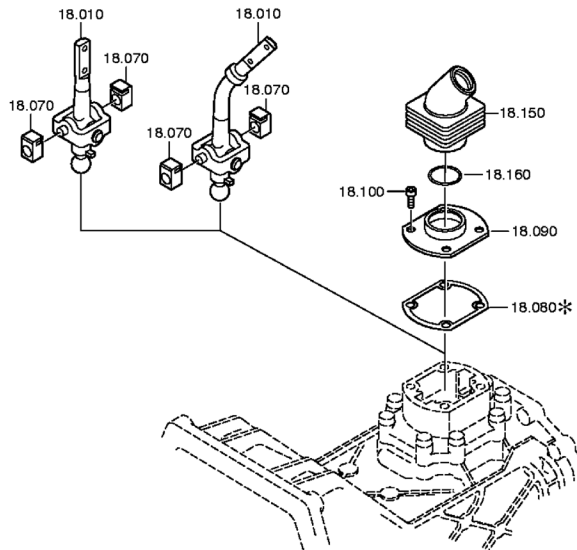
**denotes 0636304047R to be used in some 1307050109's.



Remanufactured Transmissions, Spare Parts, and Kits Catalog

S5-42 Spare Parts – Gear Shift Lever Group

Pos #	ZF Part #	Description	Unit Specification (1307 050 _____)
18.010	1307 218 006	Gear Shift Lever	050/051/053/054/056/057/059/100/102/108/109/110/111/118/120
	1307 218 007	Gear Shift Lever	064/103
18.070	1307 306 154	Guide Piece	All
18.090	1307 306 035	Cover	All
18.100	0636 101 679	Cap Screw M6x16	All
18.150	1307 306 236	Inner Trans Boot	All
18.160	0730 505 093	Snap Ring	All



*ALSO AVAILABLE IN KITS



Remanufactured Transmissions, Spare Parts, and Kits Catalog

S5-42 Spare Parts – Kits

1307Major

Pos #	ZF Part #	Description	Qty.
01.022	0735 298 199	Ball Sleeve	1
01.040	0735 298 199	Ball Sleeve	1
01.100	0734 319 609	4x2 Output Seal	1
01.100	0734 310 377	4x4 Output Seal	1
01.130	1290 301 140	Gasket	1
01.160	1290 301 140	Gasket	1
02.010/020	0501 316 778	Oil Dam	1
02.020	0769 170 525	Input Bearing	1
02.030	0501 309 612	Nilos Ring	1
02.110	0734 310 378	Input Seal S5-42/47	1
02.110	0734 319 596	Input Seal S5-47M	1
02.120	0634 313 136	O-Ring	1
03.060	0769 170 314	Countershaft Bearing	1
03.110	0769 170 314	Countershaft Bearing	1
04.020	0735 320 873	Needle Cage, Main Shaft 1/Rev	1
04.080	0735 321 010	Needle Cage, Main Shaft 5th	1
04.100	0769 170 524	Output Bearing	1
04.160	1317 304 117	Locking Nut	1
04.200	0735 320 873	Needle Cage, Main Shaft 1/Rev	1
04.260	0735 320 871	Needle Bearing 2/3	1
04.280	0730 106 561	Washer	1
04.290	0730 162 428	Bushing 3rd Gear	1
04.310	0735 320 871	Needle Bearing 2/3	1
04.380	0750 117 251	Pocket Bearing	1
05.020	0750 115 233	Idler Needle Cage	2
05.050	0630 050 016	Usit Ring	2
06.200	0630 361 077	Sealing Cap	3
06.200	0630 361 116	Plug Sealing 14mm	3
06.500	0634 801 260	Sealing Ring	1
18.080	1249 306 426	Gasket	1

1307SK

Pos #	ZF Part #	Description	Qty.
04.050/120	1307 304 175	Rev Synchronizer Ring	1
04.050/130	1307 304 182	3/4/5 Synchronizer Ring	1
04.230/120	1307 304 181	1/2 Synchronizer Ring	1
04.230/130	1307 304 181	1/2 Synchronizer Ring	1
04.340/120	1307 304 182	3/4/5 Synchronizer Ring	1
04.340/130	1307 304 182	3/4/5 Synchronizer Ring	1

1307Minor

Pos #	ZF Part #	Description	Qty.
01.100	0734 319 609	4x2 Output Seal	1
01.100	0734 310 377	4x4 Output Seal	1
01.130	1290 301 140	Gasket	1
01.160	1290 301 140	Gasket	1
02.010/020	0501 316 778	Oil Dam	1
02.020	0769 170 525	Input Bearing	1
02.030	0501 309 612	Nilos Ring	1
02.110	0734 310 378	Input Seal S5-42/47	1
02.110	0734 319 596	Input Seal S5-47M	1
02.120	0634 313 136	O-Ring	1
03.060	0769 170 314	Countershaft Bearing	1
03.110	0769 170 314	Countershaft Bearing	1
04.100	0769 170 524	Output Bearing	1
04.160	1317 304 117	Locking Nut	1
04.380	0750 117 251	Pocket Bearing	1
05.050	0630 050 016	Usit Ring	2
06.200	0630 361 077	Sealing Cap	3
06.200	0630 361 116	Plug Sealing 14mm	3
06.500	0634 801 260	Sealing Ring	1
18.080	1249 306 426	Gasket	1

1307RBK

Pos #	ZF Part #	Description	Qty.
01.100	0734 319 609	4x2 Output Seal	1
01.100	0734 310 377	4x4 Output Seal	1
01.130	1290 301 140	Gasket	1
01.160	1290 301 140	Gasket	1
01.180	0501 314 040	Usit Ring	1
01.180	0730 008 637	Usit Ring	1
01.190	0501 314 040	Usit Ring	1
01.190	0730 008 637	Usit Ring	1
01.260	0630 361 077	Sealing Cap	1
02.010/020	0501 316 778	Oil Dam	1
02.110	0734 310 378	Input Seal S5-42/47	1
02.110	0734 319 596	Input Seal S5-47M	1
04.160	1317 304 117	Locking Nut	1
05.050	0630 050 016	Usit Ring	2
06.200	0630 361 077	Sealing Cap	3
06.200	0630 361 116	Plug Sealing 14 mm	3
06.410	1307 306 034	Gasket	1
06.500	0634 801 260	Sealing Ring	1
18.080	1249 306 426	Gasket	1



Remanufactured Transmissions, Spare Parts, and Kits Catalog

S5-42 Spare Parts – Kits (Continued)

1307PPK

Pos #	ZF Part #	Description	Qty.
04.050/150	0635 460 010	Ball	3
04.050/160	0732 041 571	Compression Spring	3
04.050/170	1307 304 156	Pressure Piece	3
04.230/150	0635 460 010	Ball	3
04.230/160	0732 041 571	Compression Spring	3
04.230/170	1307 304 156	Pressure Piece	3
04.340/150	0635 460 010	Ball	3
04.340/160	0732 041 571	Compression Spring	3
04.340/170	1307 304 156	Pressure Piece	3

1307SRK

Pos #	ZF Part #	Description	Qty.
03.010/050	0630 501 033	Snap Ring 1.75 mm	1
03.010/060	0630 501 031	Snap Ring 1.75 mm	1
04.060	0630 531 258	Snap Ring 2.00 mm	1
04.060	0730 501 264	Snap Ring 1.80 mm	1
04.060	0730 501 265	Snap Ring 1.90 mm	1
04.060	0730 501 299	Snap Ring 2.10 mm	1
04.060	0730 501 314	Snap Ring 2.20 mm	1
04.060	0630 531 314	Snap Ring 2.40 mm	1
04.060	0630 531 315	Snap Ring 2.30 mm	1
04.110	0630 501 157	Snap Ring 2.00 mm	1
04.110	0630 501 208	Snap Ring 2.10 mm	1
04.110	0630 501 210	Snap Ring 2.20 mm	1
04.240	0730 501 264	Snap Ring 1.80 mm	1
04.240	0730 501 265	Snap Ring 1.90 mm	1
04.240	0730 501 299	Snap Ring 2.10 mm	1
04.240	0730 501 314	Snap Ring 2.20 mm	1
04.240	0630 531 258	Snap Ring 2.00 mm	1
04.240	0630 531 314	Snap Ring 2.40 mm	1
04.240	0630 531 315	Snap Ring 2.30 mm	1
04.350	0730 501 260	Snap Ring 1.80 mm	1
04.350	0730 501 261	Snap Ring 1.90 mm	1
04.350	0730 501 262	Snap Ring 2.00 mm	1
04.350	0730 501 300	Snap Ring 2.10 mm	1
04.350	0730 501 301	Snap Ring 2.20 mm	1

1307SMK

Pos #	ZF Part #	Description	Qty.
02.040	0730 105 763	Shim 1.50 mm	1
02.040	0730 105 764	Shim 1.60 mm	1
02.040	0730 105 765	Shim 1.70 mm	1
02.040	0730 105 766	Shim 1.80 mm	1
02.040	0730 105 767	Shim 1.90 mm	1
02.040	0730 105 768	Shim 2.00 mm	1
02.040	0730 106 200	Shim 1.55 mm	1
02.040	0730 106 201	Shim 1.65 mm	1
02.040	0730 106 202	Shim 1.75 mm	1
02.040	0730 106 203	Shim 1.85 mm	1
02.040	0730 106 204	Shim 1.95 mm	1
02.040	0730 106 684	Shim 1.20 mm	1
02.040	0730 106 685	Shim 1.25 mm	1
02.040	0730 106 686	Shim 1.30 mm	1
02.040	0730 106 687	Shim 1.35 mm	1
02.040	0730 106 688	Shim 1.40 mm	1
02.040	0730 106 689	Shim 1.45 mm	1
03.070	0730 004 829	Shim 1.50 mm	1
03.070	0730 004 830	Shim 1.60 mm	1
03.070	0730 004 831	Shim 1.70 mm	1
03.070	0730 004 832	Shim 1.75 mm	1
03.070	0730 004 833	Shim 1.80 mm	1
03.070	0730 004 834	Shim 1.85 mm	1
03.070	0730 004 835	Shim 1.90 mm	1
03.070	0730 004 836	Shim 1.95 mm	1
03.070	0730 004 837	Shim 2.00 mm	1
03.070	0730 004 968	Shim 1.55 mm	1
03.070	0730 004 969	Shim 1.65 mm	1
03.070	0730 006 220	Shim 1.40 mm	1
03.070	0730 006 221	Shim 1.45 mm	1

S5-42 Spare Parts – Bulk Parts

ZF Part #	Description	Unit Specification (1307 050 _____)	Qty.
1307 304 175	Rev Synchronizer Ring Bulk	All	31
1307 304 181	1/2 Synchronizer Ring Bulk	All	31
1307 304 182	3/4/5 Synchronizer Ring Bulk	All	31

