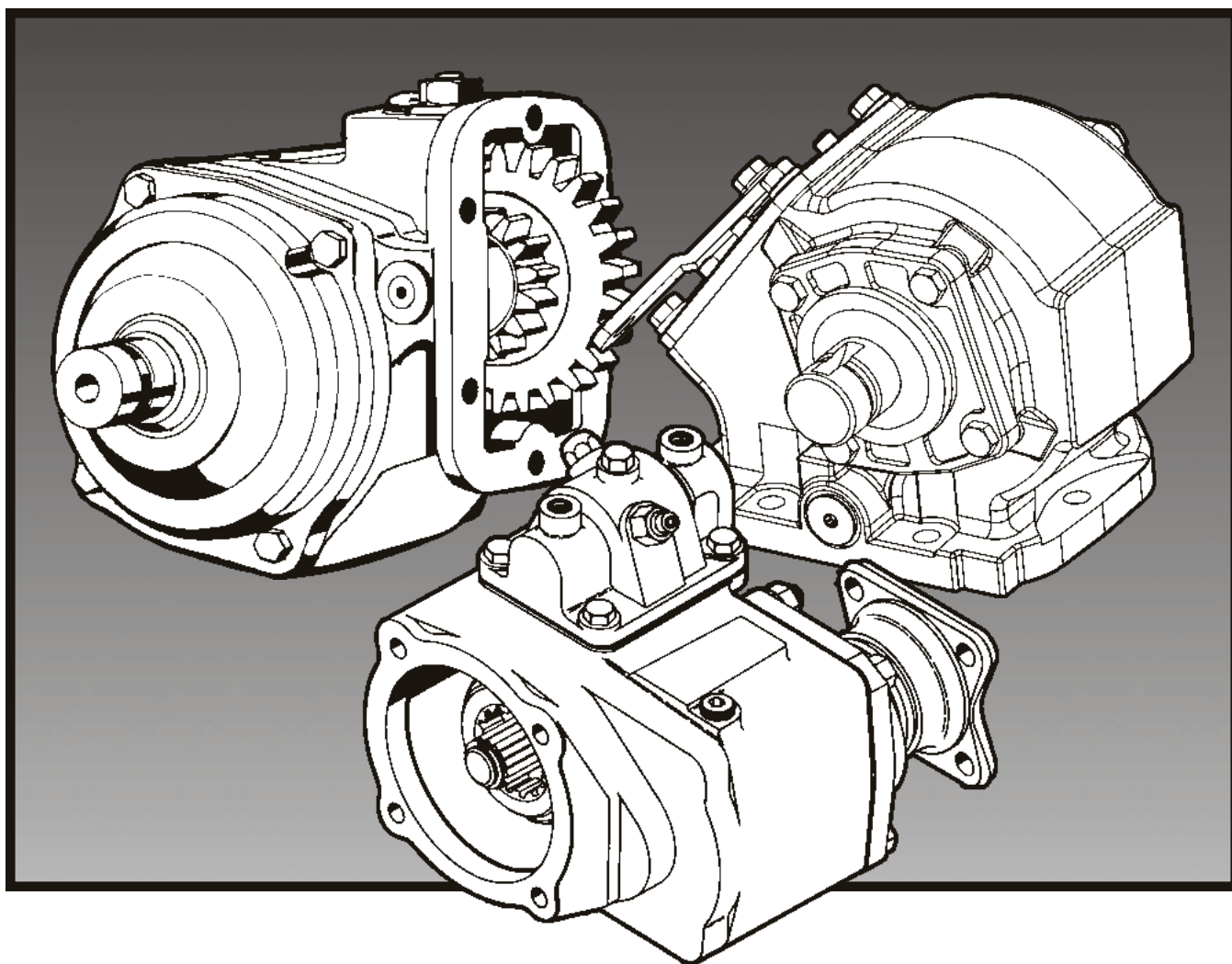


Parts List 429 Series

Effective: March 15, 2006
Supersedes: May 15, 2005



 **WARNING**

FAILURE OR IMPROPER SELECTION OR IMPROPER USE OF THE PRODUCTS AND/OR SYSTEMS DESCRIBED HEREIN OR RELATED ITEMS CAN CAUSE DEATH, PERSONAL INJURY AND PROPERTY DAMAGE.

This document and other information from Parker Hannifin Corporation, its subsidiaries and authorized distributors provide product and/or system options for further investigation by users having technical expertise. It is important that you analyze all aspects of your application and review the information concerning the product or system in the current product catalog. Due to the variety of operating conditions and applications for these products or systems, the user, through its own analysis and testing, is solely responsible for making the final selection of the products and systems and assuring that all performance, safety and warning requirements of the application are met.

The products described herein, including without limitation, product features, specifications, designs, availability and pricing, are subject to change by Parker Hannifin Corporation and its subsidiaries at any time without notice.

Offer of Sale

The items described in this document are hereby offered for sale by Parker Hannifin Corporation, its subsidiaries or its authorized distributors. This offer and its acceptance are governed by the provisions stated in the "Offer of Sale".

© Copyright 2006, Parker Hannifin Corporation, All Rights Reserved

Contents

Exploded View 1

Bill of Materials 2-3

Lever Shift Control Assembly – Assembly 5..... 4

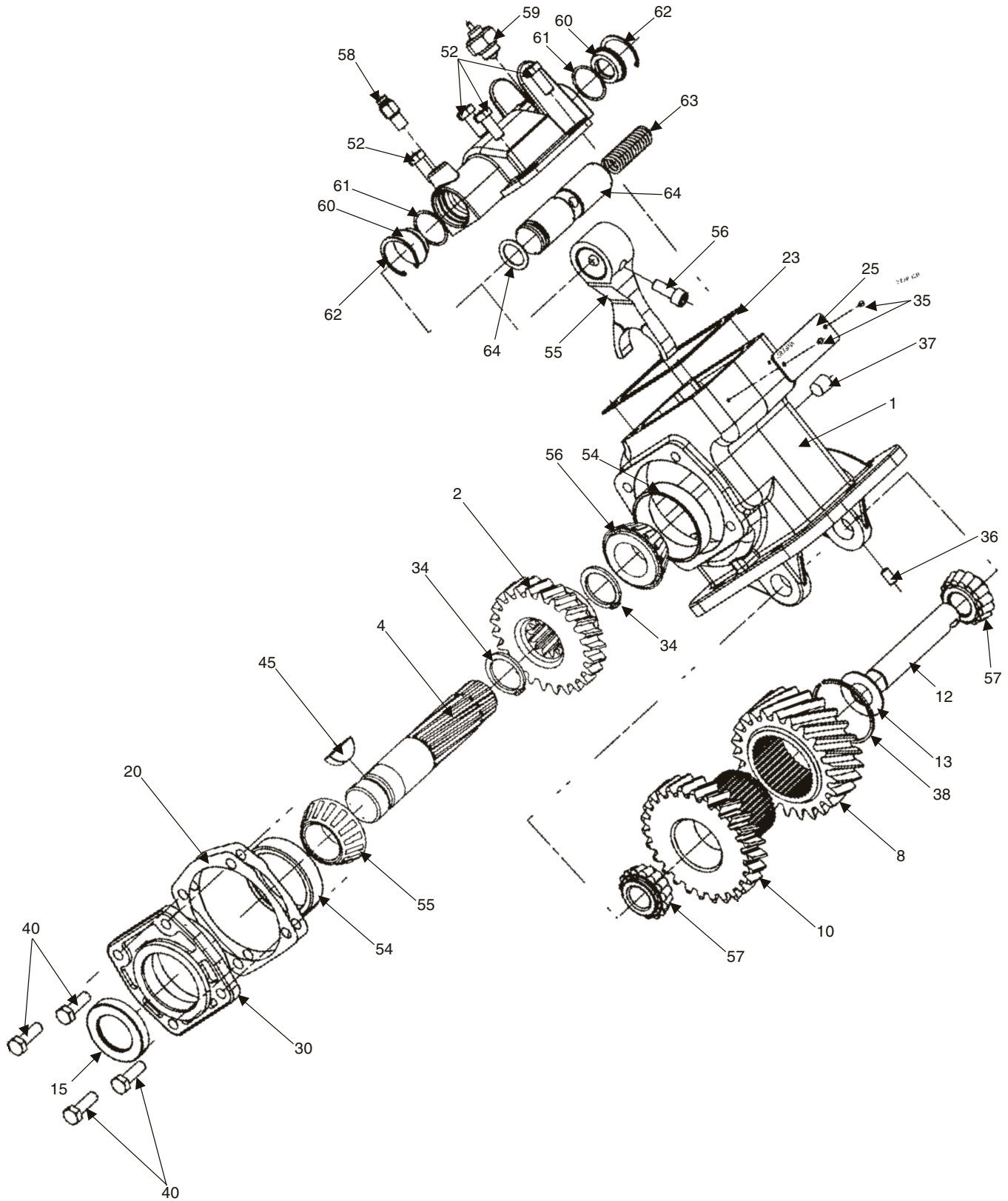
Pump Conversion Kit Bill of Material 5

Input Gear Chart 5

Model Number Designation..... 6

Housing Dimensions 6

Offer of Sale 8



Bill of Materials

Item	Part Number	Description	Quantity
1	1-P-539	PTO Housing	1
2	2-P-559	Output Gear	1
4	See Below 3-P-202 See Page 5	Output Shaft Output Shaft ("XD" Output Only) Output Shaft (All Other Outputs)	1
8	5-P-1226	Input Ratio gear	1
10	See Page 5	Input Gear	1
12	9-P-72	Idler Shaft	1
13	14-P-15	Input Gear Spacers	A.R.
15	See Below 28-P-216 See Page 5	Oil Seal Oil Seal ("XD" Output Only) Oil Seal (All Other Outputs)	1
20	22-P-24-1 22-P-24-2 22-P-24-3	Bearing Cap Gasket (.010) Bearing Cap Gasket (.020) Bearing Cap Gasket (.015)	A.R.
23	35-P-8	Shifter Cover Gasket	2
25	68-P-2	Name Plate (USA)	1
30	See Below 328273X See Page 5	Bearing Cap (Output Side) Bearing Cap Assembly ("XD" Output Only) Bearing Cap Assembly (All Other Outputs)	1
34	378391	Lockring	2
35	378422	Drive Screw	2
36	378452-7	Set Screw .250-20 x .500	1
37	378888	Pipe Plug Hex Socket .250-18 NPTF	1
38	379522	Lockring (Input Gear)	1
40	See Below 378430-10 See Page 5	Capscrew (Output Bearing Cap) Hex. Capscrew .312-18 x 1.00 ("XD" Output Only) Capscrew (All Other Outputs)	4
45	500007-29	Woodruff Key ("XD" Output Only)	1
47	See Below 329361X 329121-2X 5-A-188	Shifter Assembly Air Shift Cover Ass'y ("A", "P", "Q" Shifter Type) Wire Shift Cover Assembly ("W" Shifter Type) Spacer, Shifter Cover (With Wire Shifter)	1
52	See Below 378430-9 378430-10	Cap Screw, Hex Head (Shifter Cover) Cap Screw, Hex Head (.312-18 x .875) ("A", "P", "Q", "Z" Shifter Type) Cap Screw, Hex Head (.312-18 x 1.00) ("W" Shifter Type)	4
54	550221	Bearing Cup	2
55	550397	Bearing Cone	1
56	550532	Bearing Cone	1
57	560979	Bearing Cone	2
58	379904	Push Connect, for 1/4" tubing	1
59	379639	Indicator Switch	1

A.R.—As Required

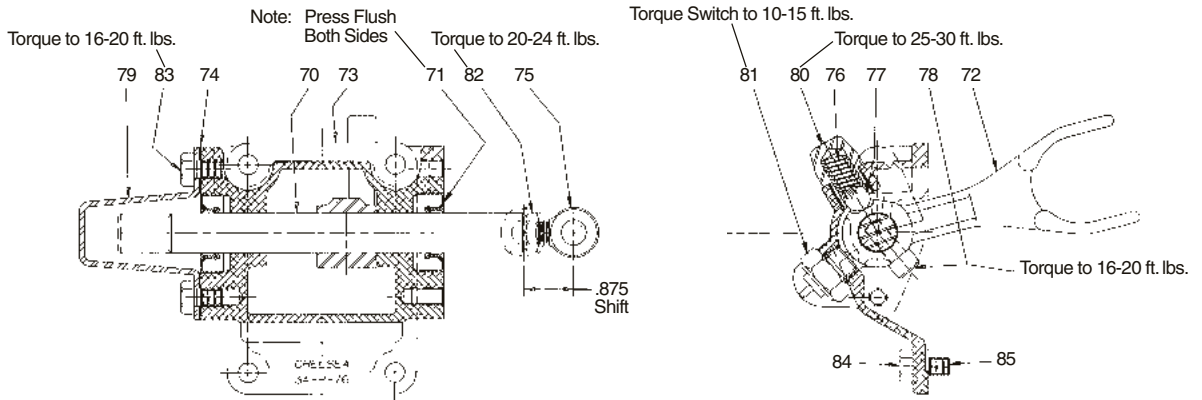
Continued on next page

Bill of Materials

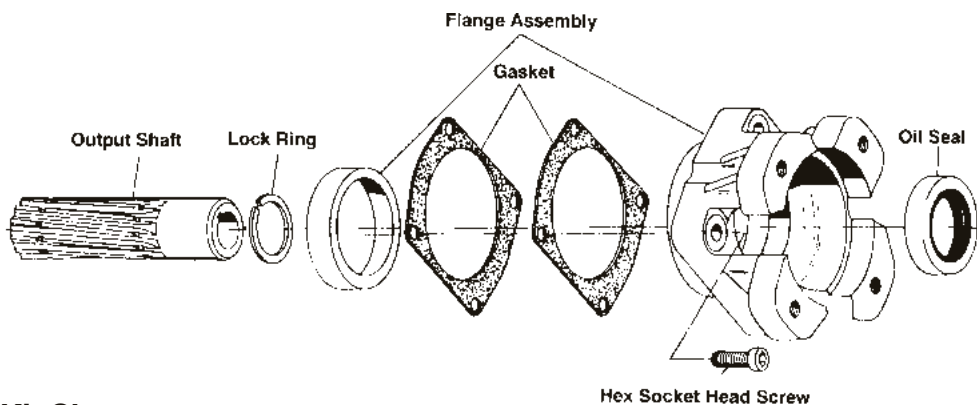
Item	Part Number	Description	Quantity
60	378315	Cover Plug	2
61	28-P-42	O-Ring	2
62	378316	Snap Ring	2
63	37-P-21	Shifter Spring	1
64	11-P-75	Shaft, Shifter	1
65	28-P-41	O-Ring	1
		Loose Parts	
	328388-37X	Air Shift Installation Kit ("A" Shifter)	1 or
	328388-47X	Air Shift Installation Kit ("P" Shifter)	1 or
	328388-48X	Air Shift Installation Kit ("Q" Shifter)	1 or
	328751-1X	Installation Kit ("W", "Y" Shifter Only)	1
	328961-6X	Gasket & Installation Instructions	1
	7170-72X	Mounting Kit "G" Mounting (Metric)	1
	378441-10	Wire Control Cable ("W" Shifter)	1
	328380X	Wire Control Parts Bag ("W" Shifter)	1
	378502	Wire Control Knob	1

A.R.—As Required

Lever Shift Control Assembly – Assembly 5



Item	Part Number	Description	Quantity
	329035-2X	Optional Lever Shift	
		Lever Shift Control Assembly (Assembly 5) (Includes Items 21-34)	1
70	11-P-112	Shaft, Shifter	1
71	28-P-207	Oil Seal	2
72	32-P-166	Shifter Fork	1
73	34-P-87	Cover, Shifter	1
74	35-P-14	Gasket	1
75	36-P-1	Eye Bolt	1
76	37-P-41	Spring, Shifter	1
77	378002	Shifter Ball	1
78	378447-4	Capscrew, Allen Head (.312"-18 x .750")	1
79	35-P-23	Cover, Shifter Shaft	1
80	378554	Spring Cap	1
81	379639	Indicator Switch	1
82	500381-3	Nut, Hex	1
83	368430-4	Capscrew, Hex Head (.312" x .500")	2
84	378430-8	Capscrew, Hex Head (.312"-18 x .750")	4
85	35-P-8	Gasket, Shifter Cover	1



Conversion Kit Chart

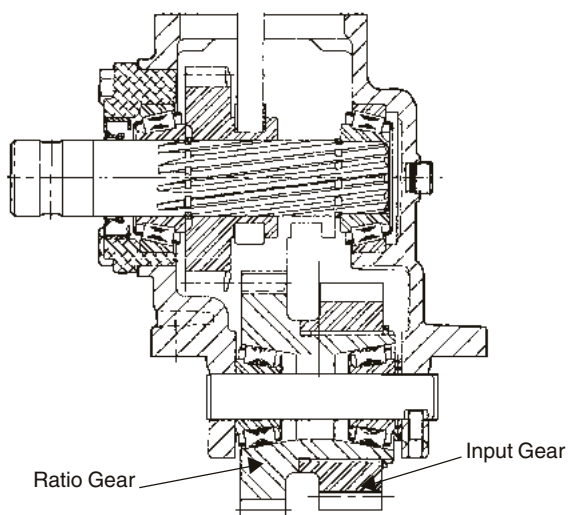
Flange Suffix "XD" To:	Conversion Kit *	Flange Assembly	Output Shaft	Hex Socket Head Screw (4 Req'd)	Oil Seal
RA	328591-55X	329195X	3-P-283	378447-6 tt	28-P-216
RB	328591-56X	329195X	3-P-283	378447-6 tt	28-P-216
RE	328591-134X	379264X	3-P-924	378447-6 tt	28-P-219
RF	328591-78X	329264X	3-P-924	378447-6 tt	28-P-219
XE	328591-27X	328328X	3-P-800	378447-8	28-P-216
XQ	328591-17X	328589X	3-P-282	378447-8	28-P-216
XR	328591-52X	329194X	3-P-283	379673 t	28-P-216

* Consists of all items shown in the illustration, plus Lockring (item 5) and Bearing Cap Gasket (item 20).

t Special shoulder stud.

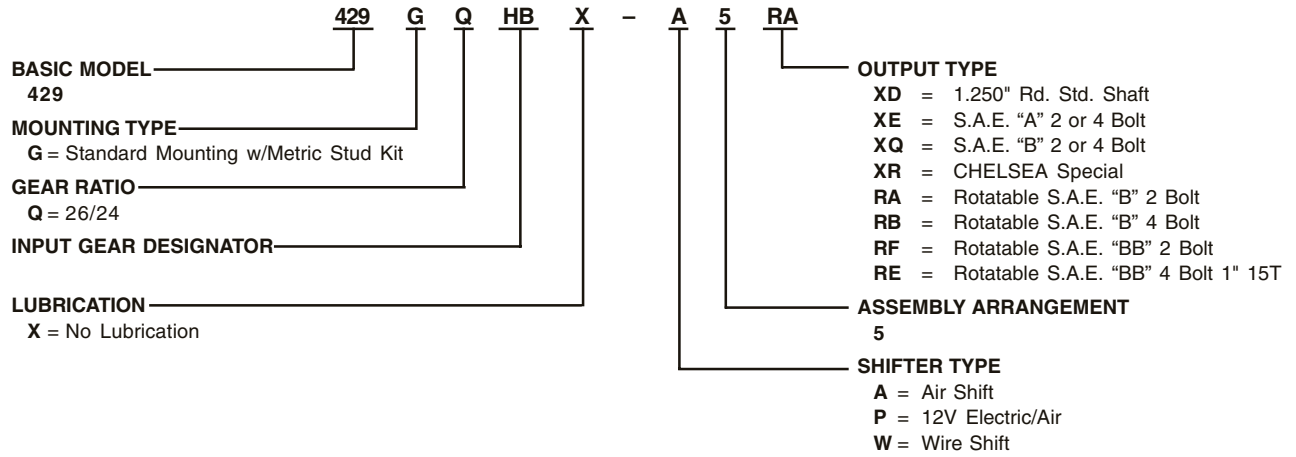
tt Seven required; four (4) to fasten the Flange Assembly 328195X to housing and three (3) to fasten the rotatable flange to the flange assembly.

Input Gear Chart

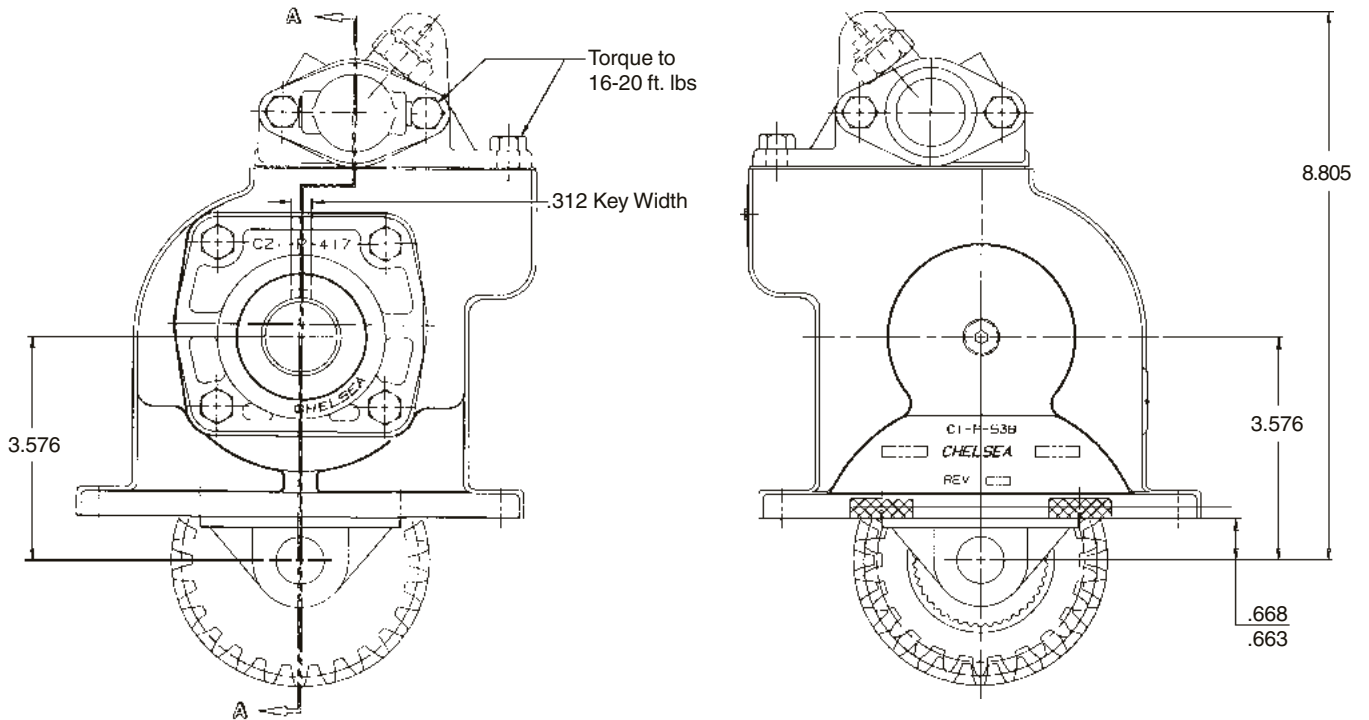


P.T.O. Model No.	Part Number Item 5	Gear Type	No. Teeth		Transmission
			Input Gear	Ratio Gear	
429GQHBX-*5**	5-P-1229	Left Hand Helix	23	26	M060S6-D, M070S6-D
429GQHXC-*5**	5-P-1227	Left Hand Helix	22	26	M060S6, M060S6-OD
429GQHDX-*5**	5-P-1228	Left Hand Helix	25	26	M050S5, M050S6

Model Number Designation



Housing Dimensions



Offer of Sale

The items described in this document and other documents or descriptions provided by Parker Hannifin Corporation, its subsidiaries and its authorized distributors are hereby offered for sale at prices to be established by Parker Hannifin Corporation, its subsidiaries and its authorized distributors. This offer and its acceptance by any customer ("Buyer") shall be governed by all of the following Terms and Conditions. Buyer's order for any such items, when communicated to Parker Hannifin Corporation, its subsidiary or an authorized distributor ("Seller") verbally or in writing, shall constitute acceptance of this offer.

1. Terms and Conditions of Sale: All descriptions, quotations, proposals, offers, acknowledgments, acceptances and sales of Seller's products are subject to and shall be governed exclusively by the terms and conditions stated herein. Buyer's acceptance of any offer to sell is limited to these terms and conditions. Any terms or conditions in addition to, or inconsistent with those stated herein, proposed by Buyer in any acceptance of an offer by Seller, are hereby objected to. No such additional, different or inconsistent terms and conditions shall become part of the contract between Buyer and Seller unless expressly accepted in writing by Seller. Seller's acceptance of any offer to purchase by Buyer is expressly conditional upon Buyer's assent to all the terms and conditions stated herein, including any terms in addition to, or inconsistent with those contained in Buyer's offer. Acceptance of Seller's products shall in all events constitute such assent.

2. Payment: Payment shall be made by Buyer net 30 days from the date of delivery of the items purchased hereunder. Amounts not timely paid shall bear interest at the maximum rate permitted by law for each month or portion thereof that the Buyer is late in making payment. Any claims by Buyer for omissions or shortages in a shipment shall be waived unless Seller receives notice thereof within 30 days after Buyer's receipt of the shipment.

3. Delivery: Unless otherwise provided on the face hereof, delivery shall be made F.O.B. Seller's plant. Regardless of the method of delivery, however, risk of loss shall pass to Buyer upon Seller's delivery to a carrier. Any delivery dates shown are approximate only and Seller shall have no liability for any delays in delivery.

4. Warranty: Seller warrants that the items sold hereunder shall be free from defects in material or workmanship for a period of:

(A) All Power Take-Off units one (1) year from date of installation.

(B) Except 267, 277, 278, 242, 244, 246, 250, 251 and 859 series two (2) years from date of installation. **THIS WARRANTY COMPRISES THE SOLE AND ENTIRE WARRANTY PERTAINING TO ITEMS PROVIDED HEREUNDER. SELLER MAKES NO OTHER WARRANTY, GUARANTEE, OR REPRESENTATION OF ANY KIND WHATSOEVER. ALL OTHER WARRANTIES, INCLUDING BUT NOT LIMITED TO, MERCHANTABILITY AND FITNESS FOR PURPOSE, WHETHER EXPRESS, IMPLIED, OR ARISING BY OPERATION OF LAW, TRADE USAGE, OR COURSE OF DEALING ARE HEREBY DISCLAIMED. NOTWITHSTANDING THE FOREGOING, THERE ARE NO WARRANTIES WHATSOEVER ON ITEMS BUILT OR ACQUIRED WHOLLY OR PARTIALLY, TO BUYER'S DESIGNS OR SPECIFICATIONS.**

5. Limitation Of Remedy: SELLER'S LIABILITY ARISING FROM OR IN ANY WAY CONNECTED WITH THE ITEMS SOLD OR THIS CONTRACT SHALL BE LIMITED EXCLUSIVELY TO REPAIR OR REPLACEMENT OF THE ITEMS SOLD OR REFUND OF THE PURCHASE PRICE PAID BY BUYER, AT SELLER'S SOLE OPTION. IN NO EVENT SHALL SELLER BE LIABLE FOR ANY INCIDENTAL, CONSEQUENTIAL OR SPECIAL DAMAGES OF ANY KIND OR NATURE WHATSOEVER, INCLUDING BUT NOT LIMITED TO LOST PROFITS ARISING FROM OR IN ANY WAY CONNECTED WITH THIS AGREEMENT OR ITEMS SOLD HEREUNDER, WHETHER ALLEGED TO ARISE FROM BREACH OF CONTRACT, EXPRESS OR IMPLIED WARRANTY, OR IN TORT, INCLUDING WITHOUT LIMITATION, NEGLIGENCE, FAILURE TO WARN OR STRICT LIABILITY.

6. Changes, Reschedules and Cancellations: Buyer may request to modify the designs or specifications for the items sold hereunder as well as the quantities and delivery dates thereof, or may request to cancel all or part of this order, however, no such requested modification or cancellation shall become part of the contract between Buyer and Seller unless accepted by Seller in a written amendment to this Agreement. Acceptance of any such requested modification or cancellation shall be at Seller's discretion, and shall be upon such terms and conditions as Seller may require.

7. Special Tooling: A tooling charge may be imposed for any special tooling, including without limitation, dies, fixtures, molds and patterns, acquired to manufacture items sold pursuant to this contract. Such special tooling shall be and remain Seller's property notwithstanding payment of any charges by Buyer. In no event will Buyer acquire any interest in apparatus belonging to Seller which is utilized in the manufacture of the items sold hereunder, even if such apparatus has been specially converted or adapted for such manufacture and notwithstanding any charges paid by Buyer. Unless otherwise agreed, Seller shall

have the right to alter, discard or otherwise dispose of any special tooling or other property in its sole discretion at any time.

8. Buyer's Property: Any designs, tools, patterns, materials, drawings, confidential information or equipment furnished by Buyer or any other items which become Buyer's property, may be considered obsolete and may be destroyed by Seller after two (2) consecutive years have elapsed without Buyer placing an order for the items which are manufactured using such property, Seller shall not be responsible for any loss or damage to such property while it is in Seller's possession or control.

9. Taxes: Unless otherwise indicated on the face hereof, all prices and charges are exclusive of excise, sales, use, property, occupational or like taxes which may be imposed by any taxing authority upon the manufacture, sale or delivery of the items sold hereunder. If any such taxes must be paid by Seller or if Seller is liable for the collection of such tax, the amount thereof shall be in addition to the amounts for the items sold. Buyer agrees to pay all such taxes or to reimburse Seller therefore upon receipt of its invoice. If Buyer claims exemption from any sales, use or other tax imposed by any taxing authority, Buyer shall save Seller harmless from and against any such tax, together with any interest or penalties thereon which may be assessed if the items are held to be taxable.

10. Indemnity For Infringement of Intellectual Property Rights: Seller shall have no liability for infringement of any patents, trademarks, copyrights, trade dress, trade secrets or similar rights except as provided in this Part 10. Seller will defend and indemnify Buyer against allegations of infringement of U.S. Patents, U.S. Trademarks, copyrights, trade dress and trade secrets (hereinafter 'Intellectual Property Rights'). Seller will defend at its expense and will pay the cost of any settlement or damages awarded in an action brought against Buyer based on an allegation that an item sold pursuant to this contract infringes the Intellectual Property Rights of a third party. Seller's obligation to defend and indemnify Buyer is contingent on Buyer notifying Seller within ten (10) days after Buyer becomes aware of such allegations of infringement, and Seller having sole control over the defense of any allegations or actions including all negotiations for settlement or compromise. If an item sold hereunder is subject to a claim that it infringes the Intellectual Property Rights of a third party, Seller may, at its sole expense and option, procure for Buyer the right to continue using said item, replace or modify said item so as to make it noninfringing, or offer to accept return of said item and return the purchase price less a reasonable allowance for depreciation. Notwithstanding the foregoing, Seller shall have no liability for claims of infringement based on information provided by Buyer, or directed to items delivered hereunder for which the designs are specified in whole or part by Buyer, or infringements resulting from the modification, combination or use in a system of any item sold hereunder. The foregoing provisions of this Part 10 shall constitute Seller's sole and exclusive liability and Buyer's sole and exclusive remedy for infringement of Intellectual Property Rights.

If a claim is based on information provided by Buyer or if the design for an item delivered hereunder is specified in whole or in part by Buyer, Buyer shall defend and indemnify Seller for all costs, expenses or judgments resulting from any claim that such item infringes any patent, trademark, copyright, trade dress, trade secret or any similar right.

11. Force Majeure: Seller does not assume the risk of and shall not be liable for delay or failure to perform any of Seller's obligations by reason of circumstances beyond the reasonable control of Seller (hereinafter 'Events of Force Majeure'). Events of Force Majeure shall include without limitation, accidents, acts of God, strikes or labor disputes, acts, laws, rules or regulations of any government or government agency, fires, floods, delays or failures in delivery of carriers or suppliers, shortages of materials and any other cause beyond Seller's control.

12. Entire Agreement/Governing Law: The terms and conditions set forth herein, together with any amendments, modifications and any different terms or conditions expressly accepted by Seller in writing, shall constitute the entire Agreement concerning the items sold, and there are no oral or other representations or agreements which pertain thereto. This Agreement shall be governed in all respects by the law of the State of Ohio. No actions arising out of the sale of the items sold hereunder or this Agreement may be brought by either party more than two (2) years after the cause of action accrues.

1/06-P



Parker Hannifin Corporation
Chelsea Products Division
8225 Hacks Cross Road
Olive Branch, Mississippi 38654 USA
Tel: (662) 895-1011
Fax: (662) 895-1019
www.parker.com/chelsea

TG 3/06